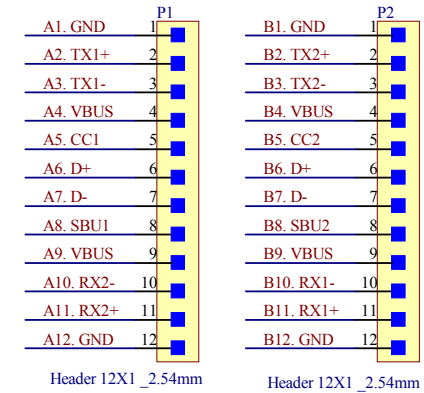
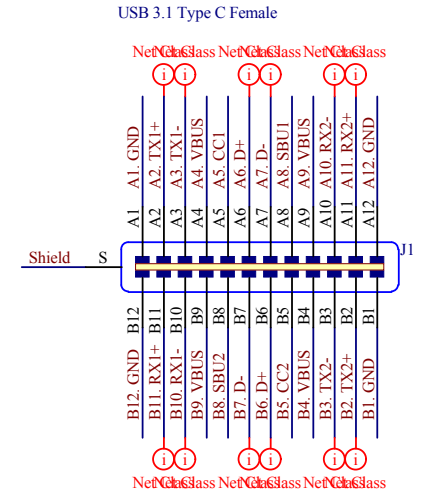
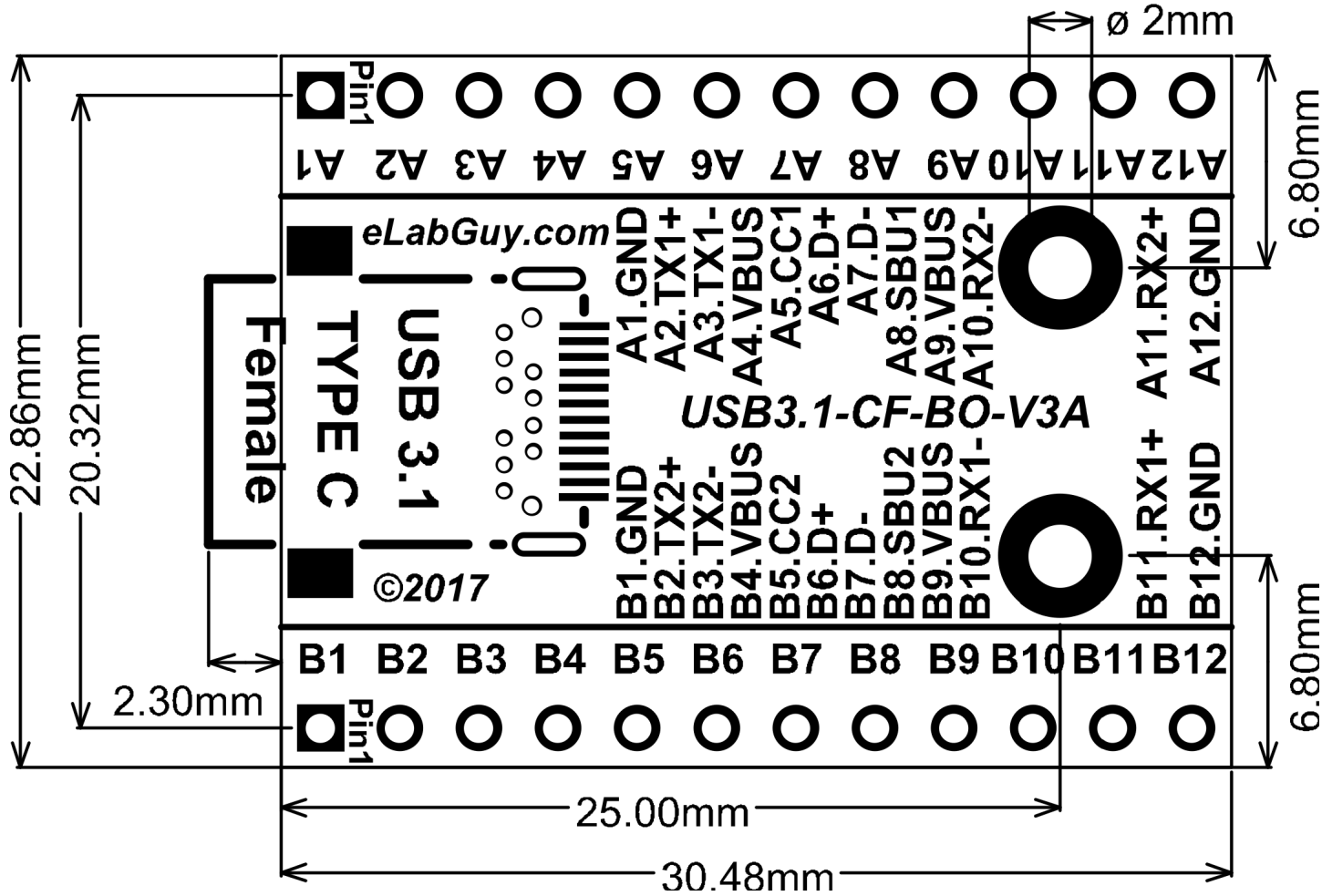


* PCB 1.6mm THICKNESS



Title			USB3.1 Type C Female Breakout Board		
Size	Number	Revision			
A4	USB3.1-CF-BO-V3A	3A			
Date:	8/11/2017	Sheet of			
File:	C:\Users\...USB3.1-CF-BO-V3A Drawing	Drawn By:		www.eLabGuy.com	