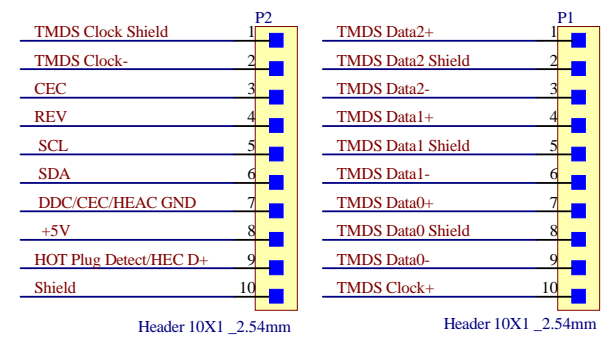
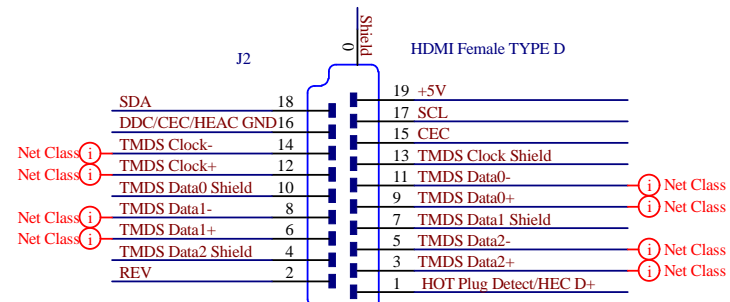
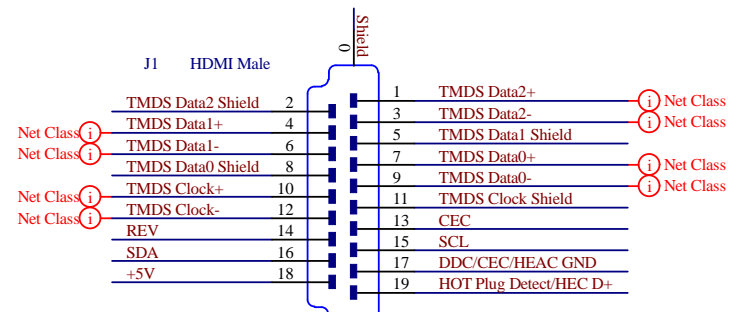
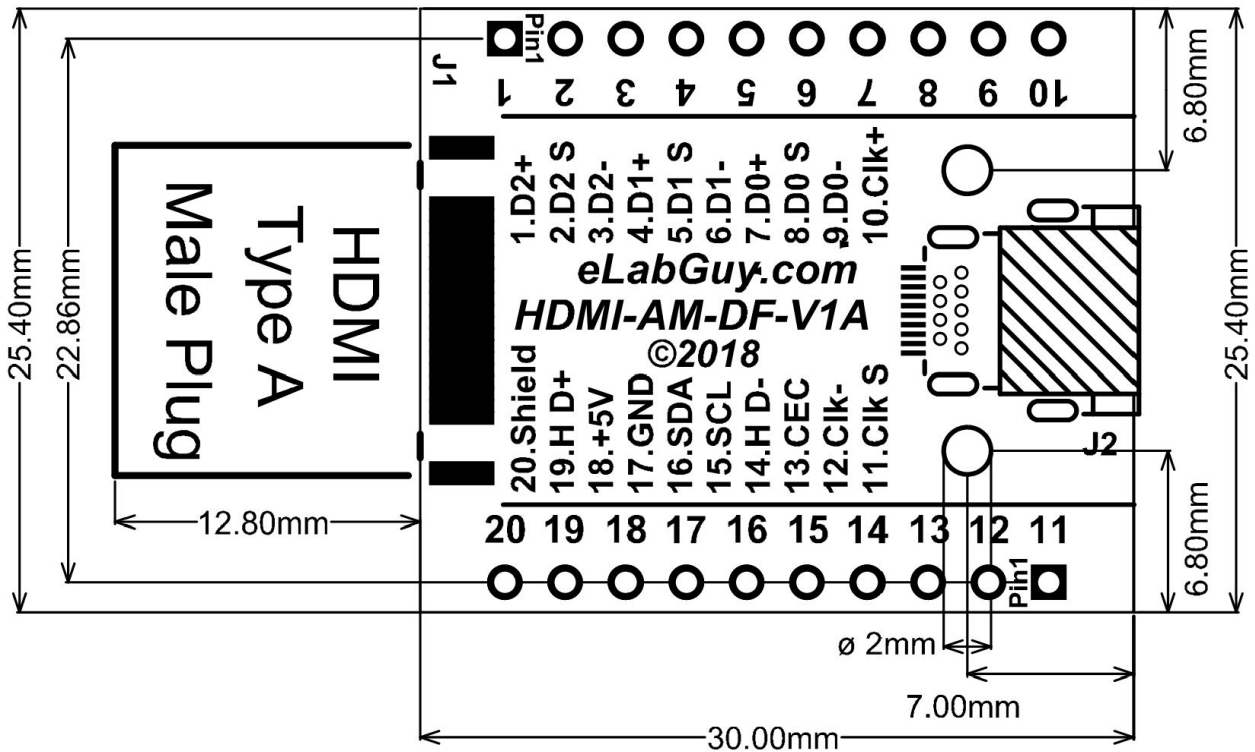


\*PCB 1.6mm THICKNESS



Title			
HDMI Type A Male to Type D Female Breakout			
Size	Number	Revision	
A4	HDMI-AM-DF-V1A	1A	
Date:	11/5/2018	Sheet	of
File:	C:\Users\...HDMI-AM-DF-VA Drawing.SchDoc	Drawn By:	www.eLabGuy.com