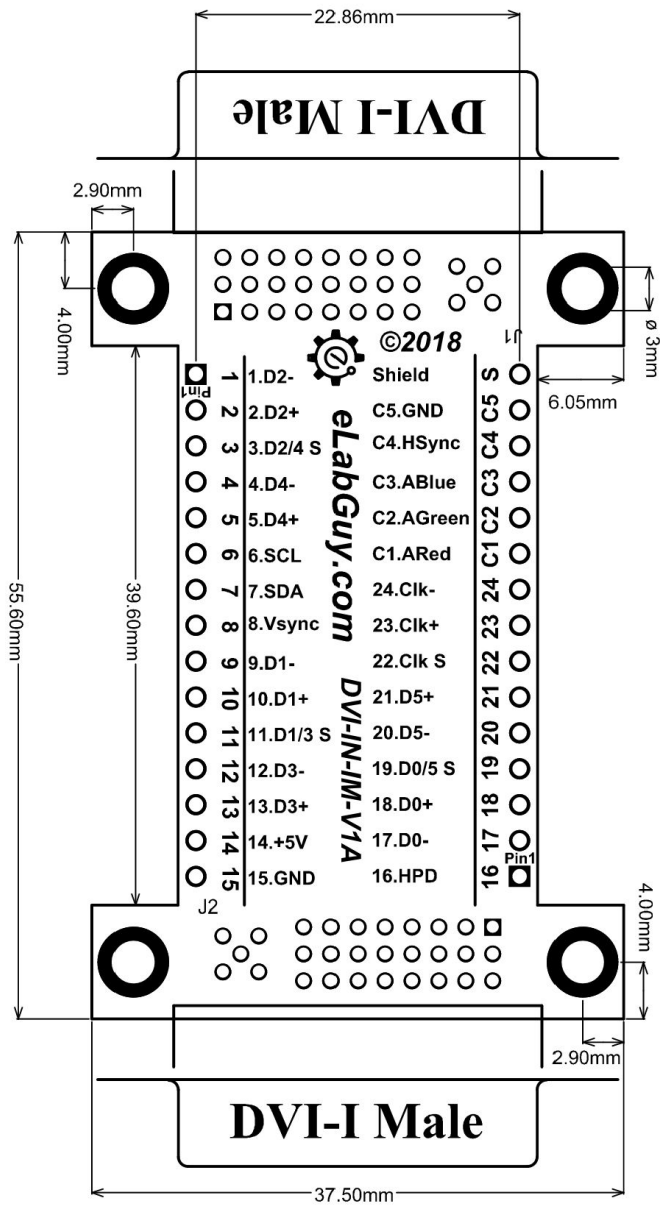


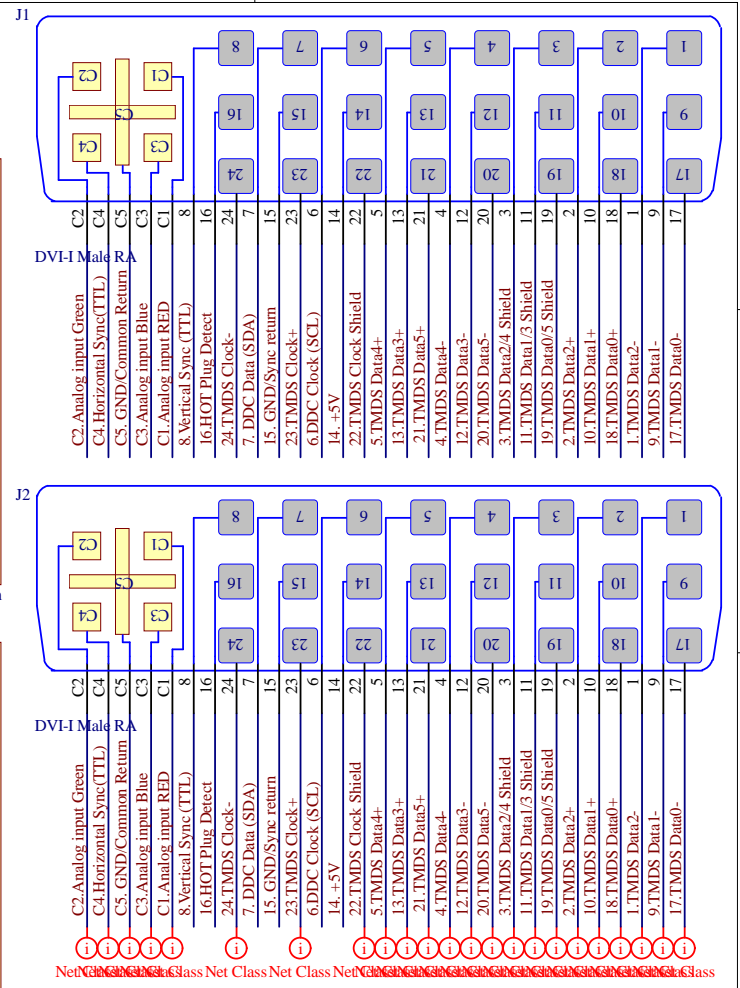
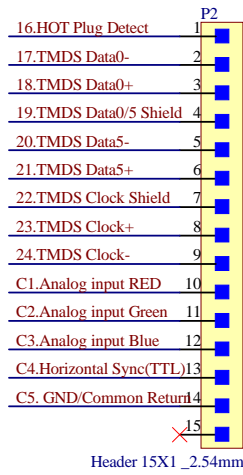
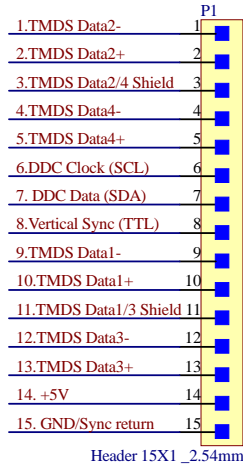
*PCB 1.6mm THICKNESS



DVI-I Male

DVI-I Male

©2018
eLabGuy.com
DVI-IM-IM-V1A



| | | |
|--|--|--------------------|
| Title DVI I Male to I Male Pass Through | | |
| Size A4 | Number DVI-IM-IM-V1A | Revision 1A |
| Date: 10/14/2018 | Sheet of | |
| File: C:\Users\...\DVI-IM-IM-V1A.SchDoc | Drawn By: www.eLabGuy.com | |