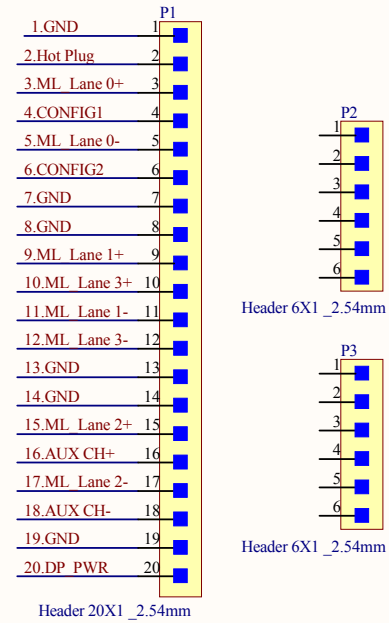
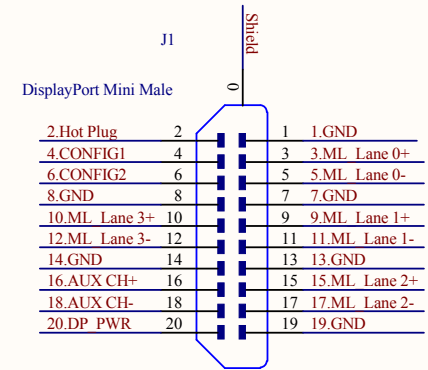


\* PCB 1.60mm THICKNESS



Title		
Mini Displayport Male Breakout (Side)		
Size	Number	Revision
A4	mDP-M-BO-V1AS	1AS
Date:	11/5/2016	Sheet of
File:	C:\Users\...mDP-M-BO-V1AS Drawing.SchDoc	Drawn By: www.eLabGuy.com