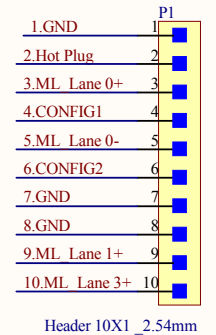
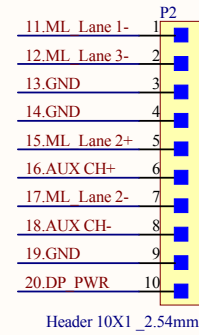
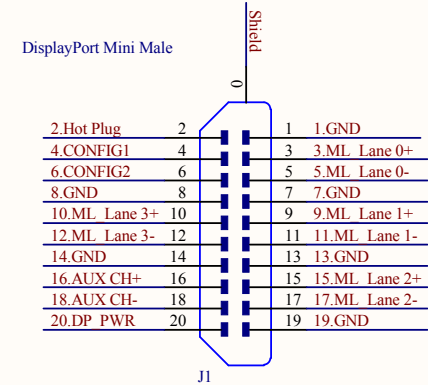
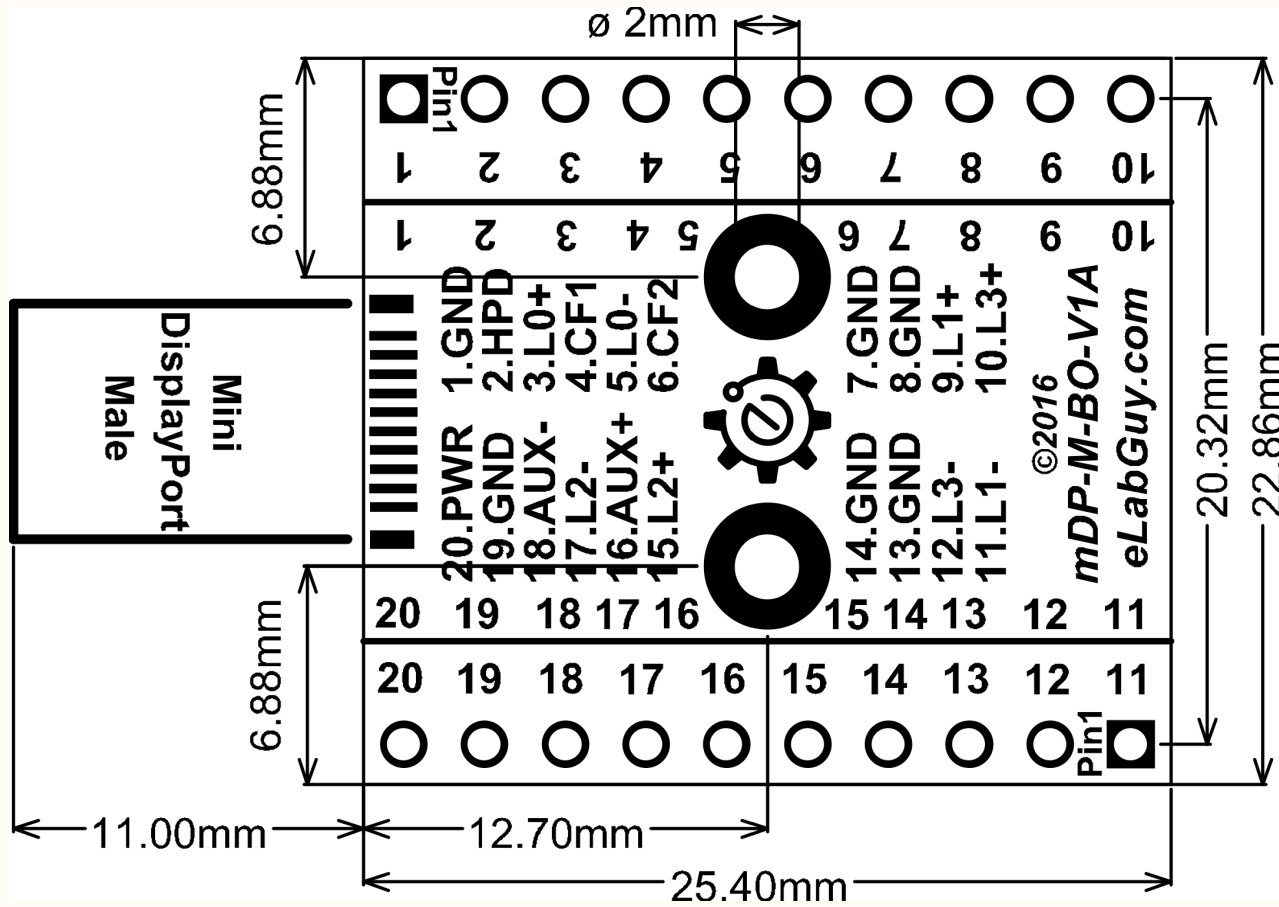


* PCB 1.60mm THICKNESS



Title Mini Displayport Male Breakout			
Size A4	Number mDP-M-BO-V1A	Revision 1A	
Date: 11/5/2016	Sheet of		Drawn By: www.eLabGuy.com
File: C:\Users\...mDP-M-BO-V1A Drawing.Sch			