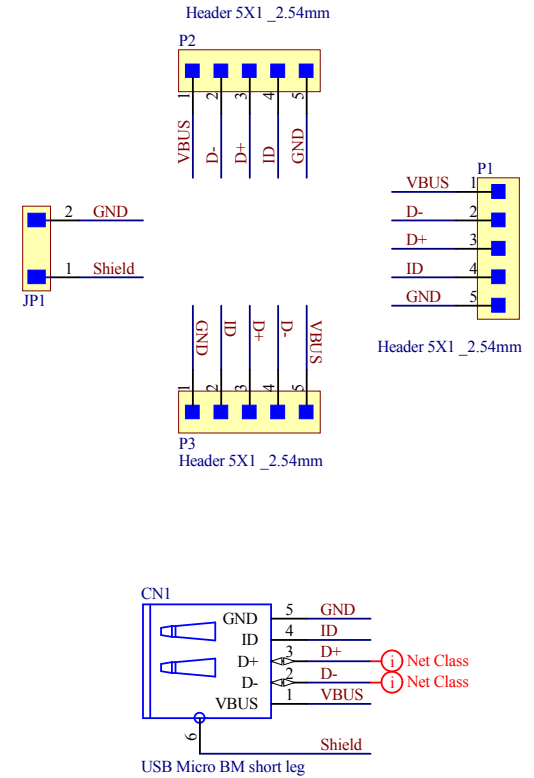
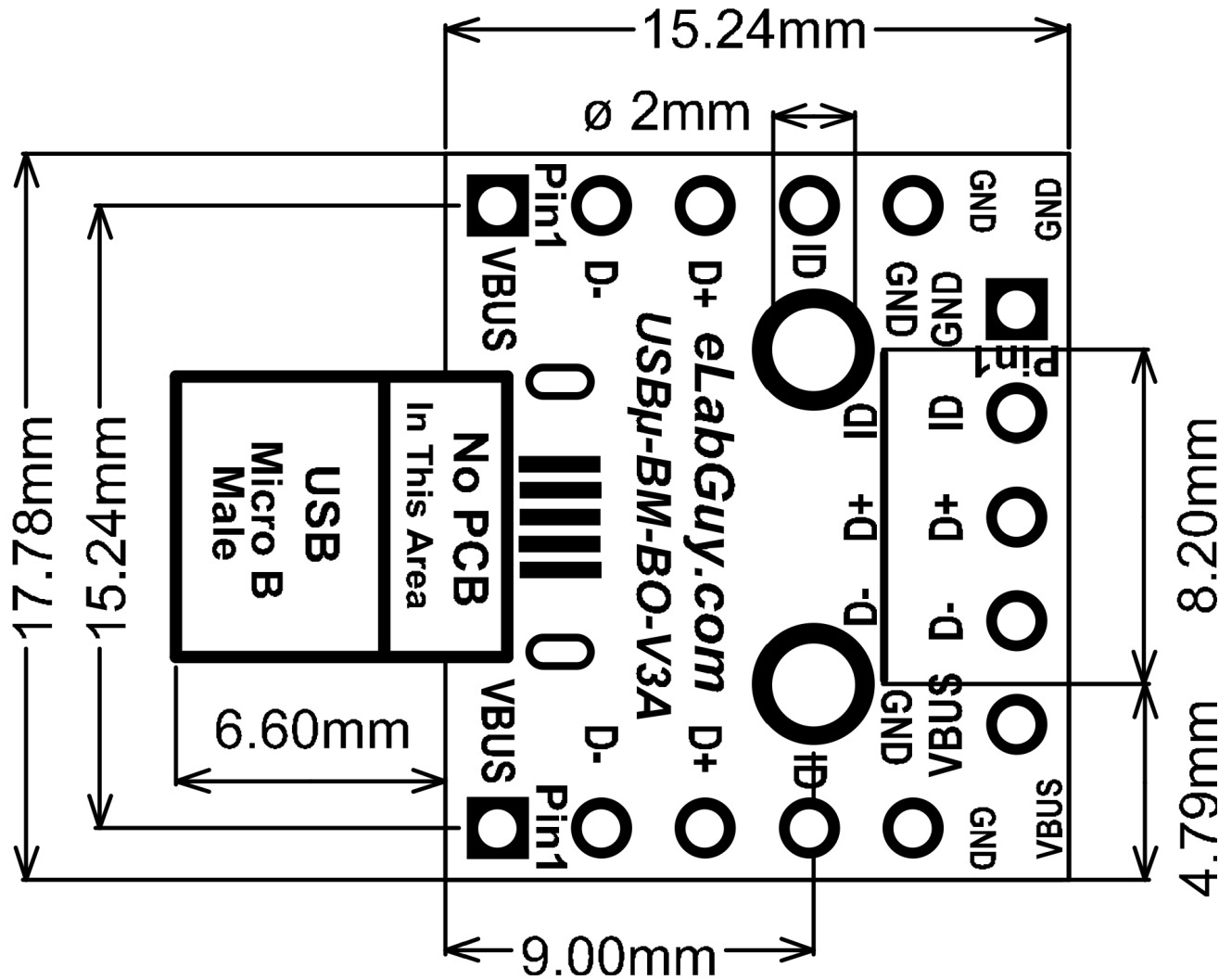


* PCB 1.6mm THICKNESS



Title			
micro USB TYPE B Male Breakout			
Size	Number	Revision	
A4	USBμ-BM-BO-V3A	3A	
Date:	8/11/2017	Sheet of	
File:	C:\Users\...USBμ-BM-BO-V3A Drawing	Sheet No By: www.eLabGuy.com	