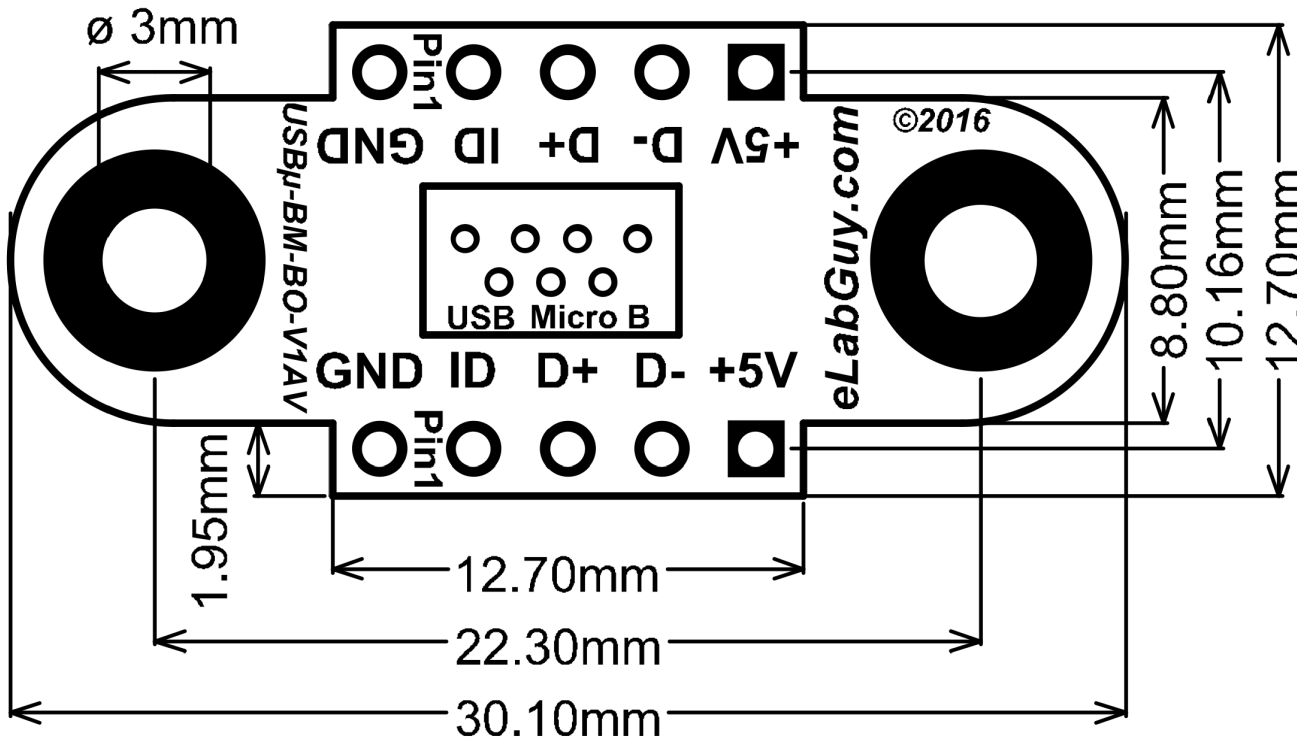
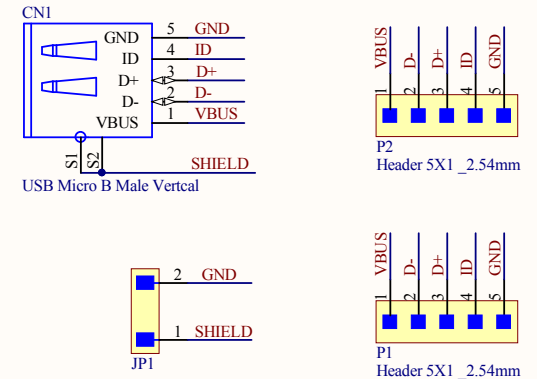


* PCB 1.60mm THICKNESS



PCB outline Drawing



Schematic Diagram



Title			Micro USB Type B Male Vertical Breakout		
Size	Number	Revision			
A4	USBµ-BM-BO-V1AV	1AV			
Date:	6/6/2016	Sheet of			
File:	C:\Users\...USBµ-BM-BO-V1AV.SchDoc	Drawn By:		www.ElabGuy.com	