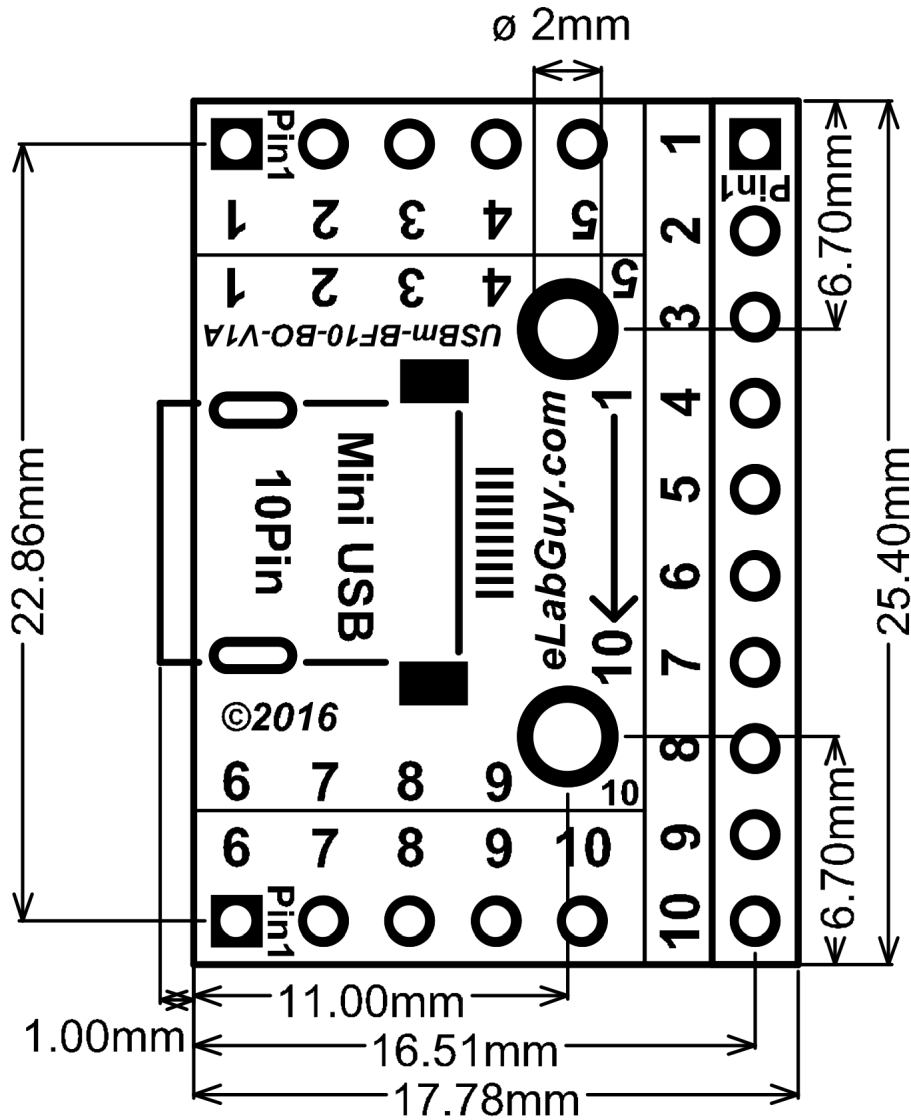
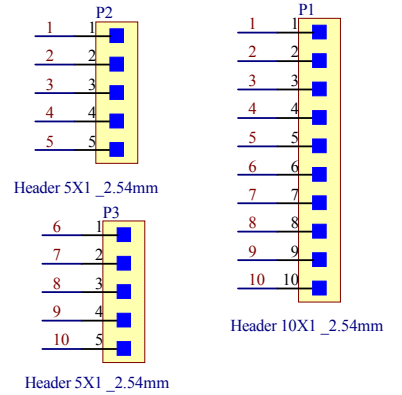
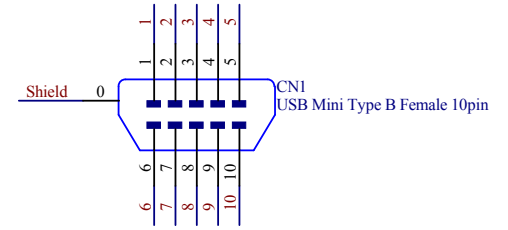


* PCB 1.60mm THICKNESS



PCB outline Drawing



Schematic Diagram



Title		Mini USB 10pin Type B Female Breakout	
Size	Number	Revision	
A4	USBm-BF10-BO-V1A	1A	
Date:	7/4/2016	Sheet of	
File:	C:\Users\...USBm-BF10-BO-V1A Drawing	Drawn By:	www.eLabGuy.com