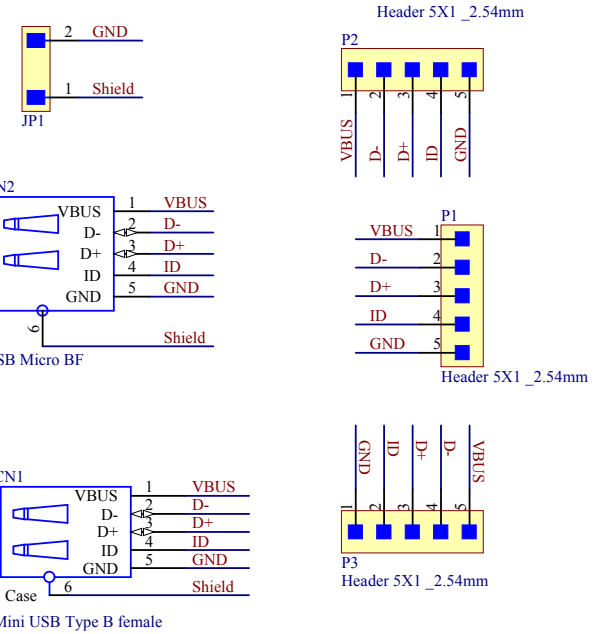
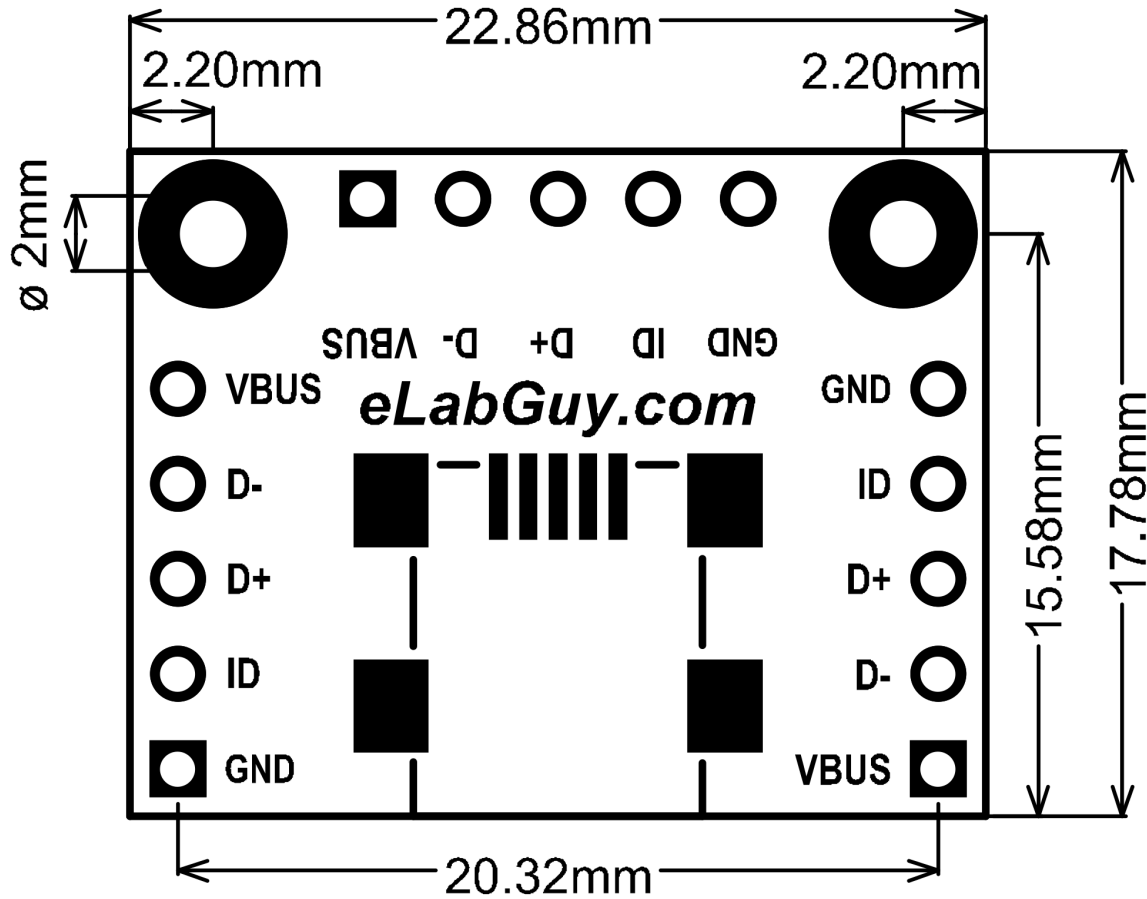


* PCB 1.6mm THICKNESS



USB μ -BF-BO-V1A Schematic Diagram



USB μ -BF-BO-V1A PCB outline Drawing

Title			USB Type B Mini+Micro Female Breakout		
Size	Number	Revision			
A4	USB μ -BF-BO-V1A	1A			
Date:	6/11/2015	Sheet of			
File:	C:\Users\...USB_B_Mini+Micro_F_V1A	Drawn By		www.eLabGuy.com	