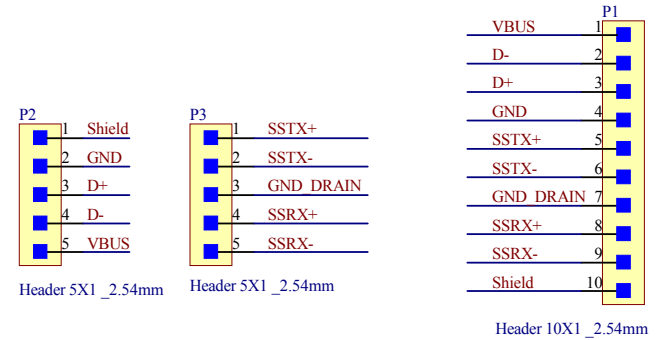
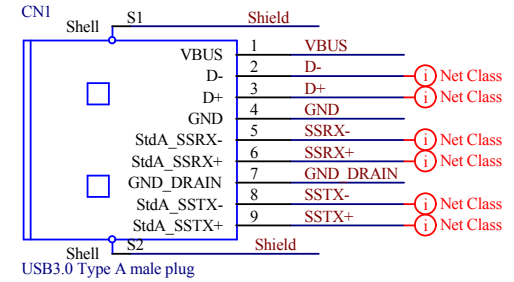
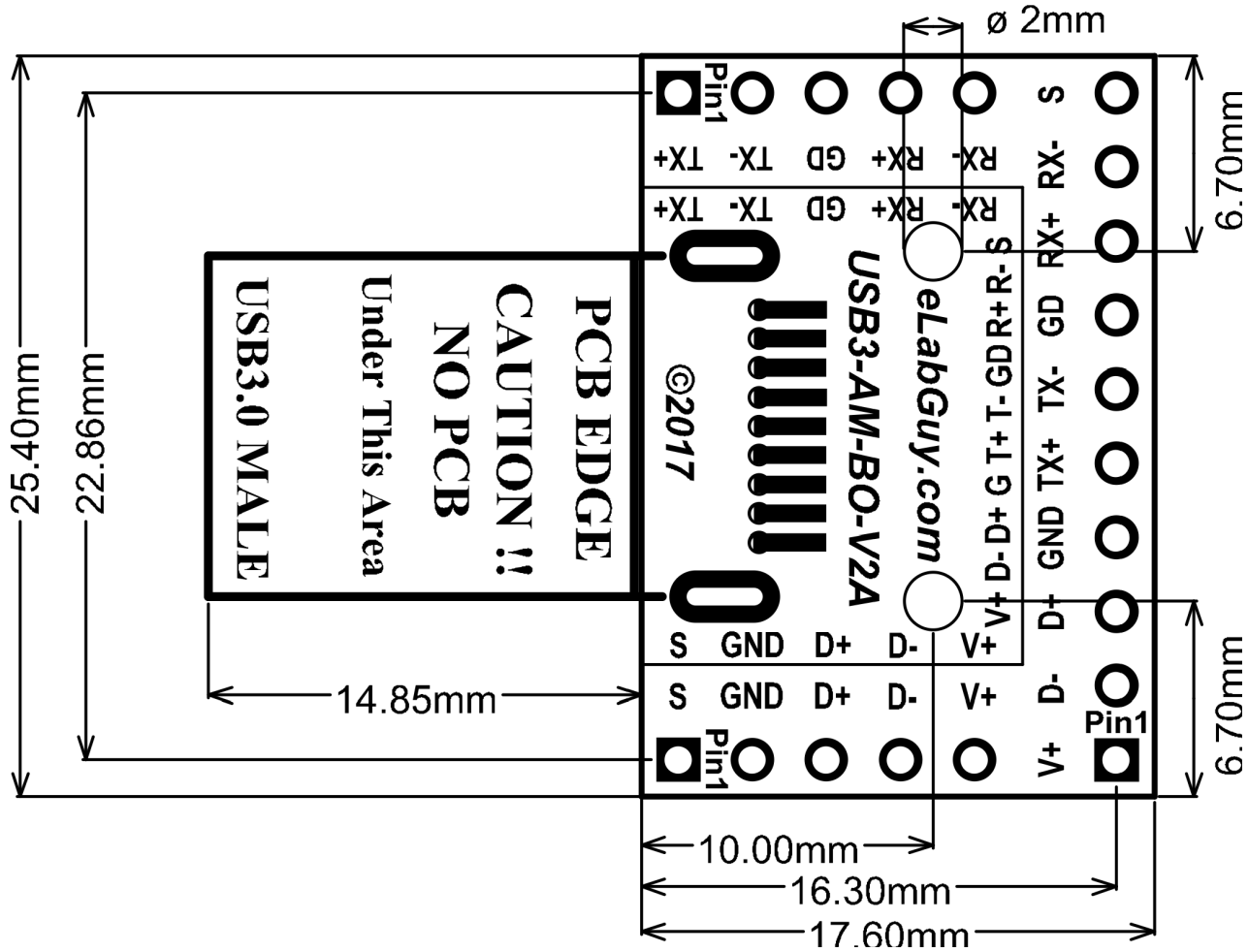


* PCB 1.6mm THICKNESS



Title		
USB3.0 Type A Male Breakout		
Size	Number	Revision
A4	USB3-AM-V2A	2A
Date:	8/11/2017	Sheet of
File:	C:\Users\...USB3-AM-BO-V2A Drawing	By: www.eLabGuy.com