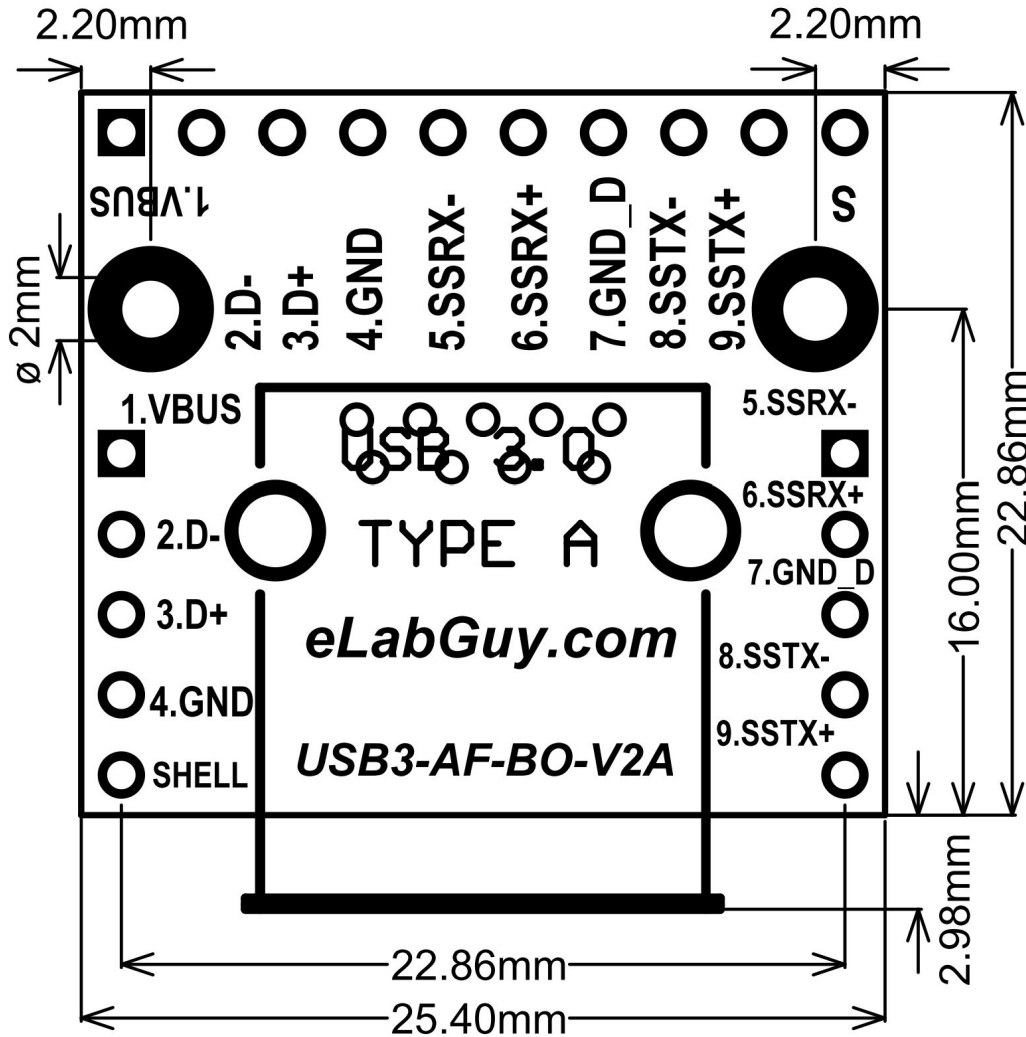
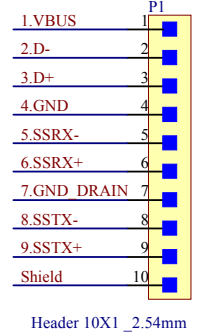
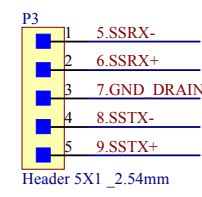
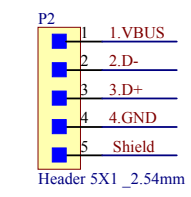
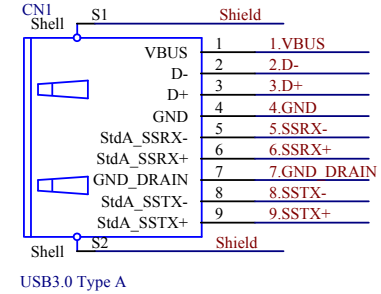


\* PCB 1.6mm THICKNESS



USB3-AF-BO-V2A PCB outline Drawing



## USB3-AF-BO-V2A Schematic Diagram



Title			USB3.0 Type A Female Breakout		
Size	Number	Revision			
A4	USB3-AF-BO-V2A	2A			
Date:	7/23/2015	Sheet of			
File:	C:\Users\...USB3_AF_BO_V2A Drawing	By:	www.eLabGuy.com		