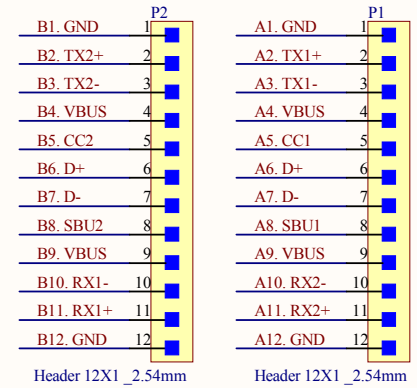
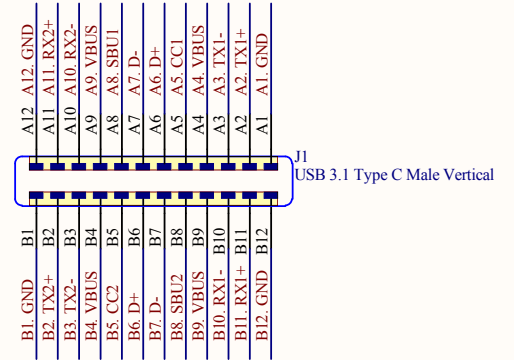
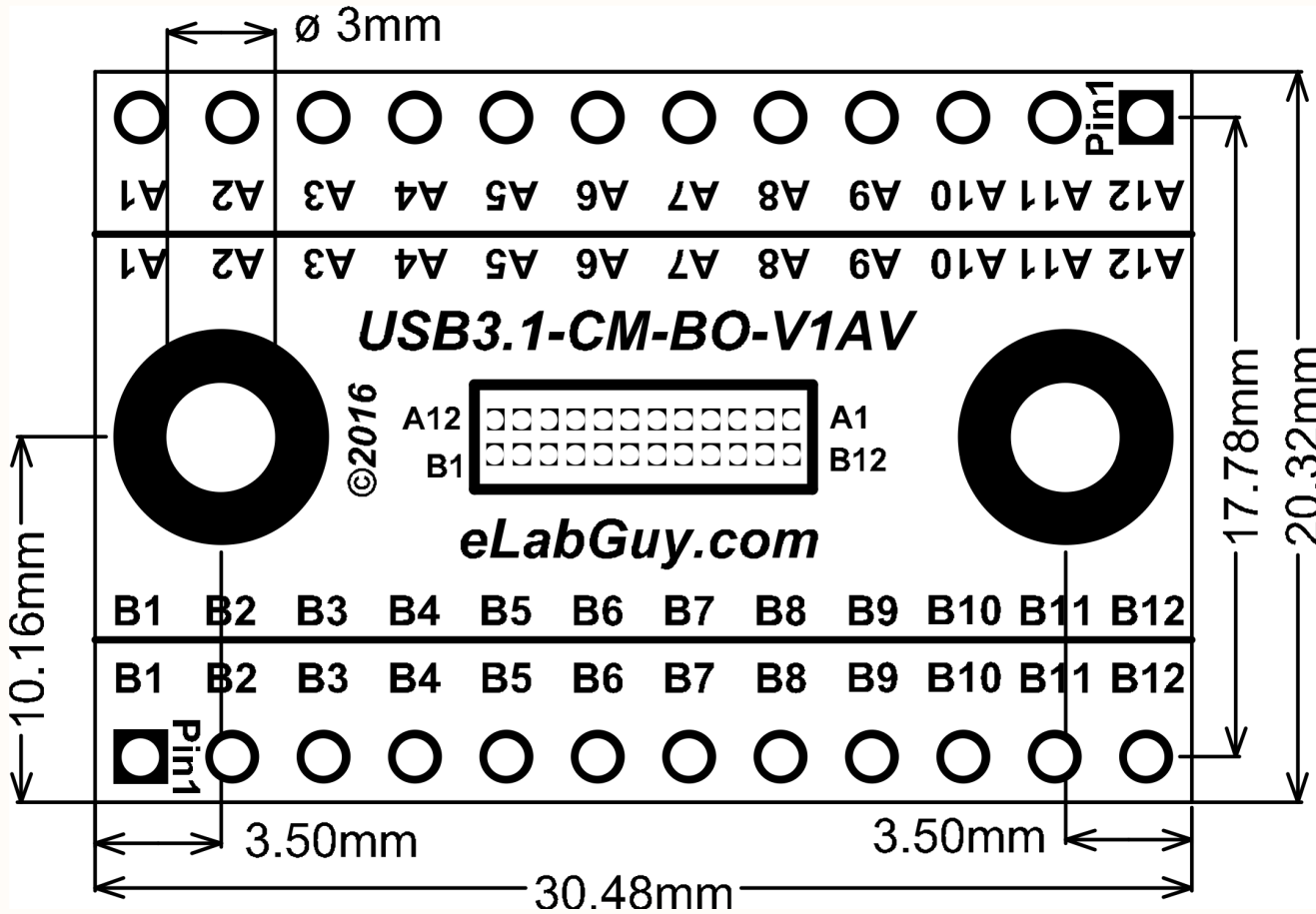


* PCB 1.60mm THICKNESS



Title			USB3.1 Type M Female Breakout Vertical		
Size	Number	Revision			
A4	USB3.1-CM-BO-V1AV	1AV			
Date:	11/5/2016	Sheet of			
File:	C:\Users\...USB3.1-CM-BO-V1AV Drawing	Drawn By:		www.eLabGuy.com	