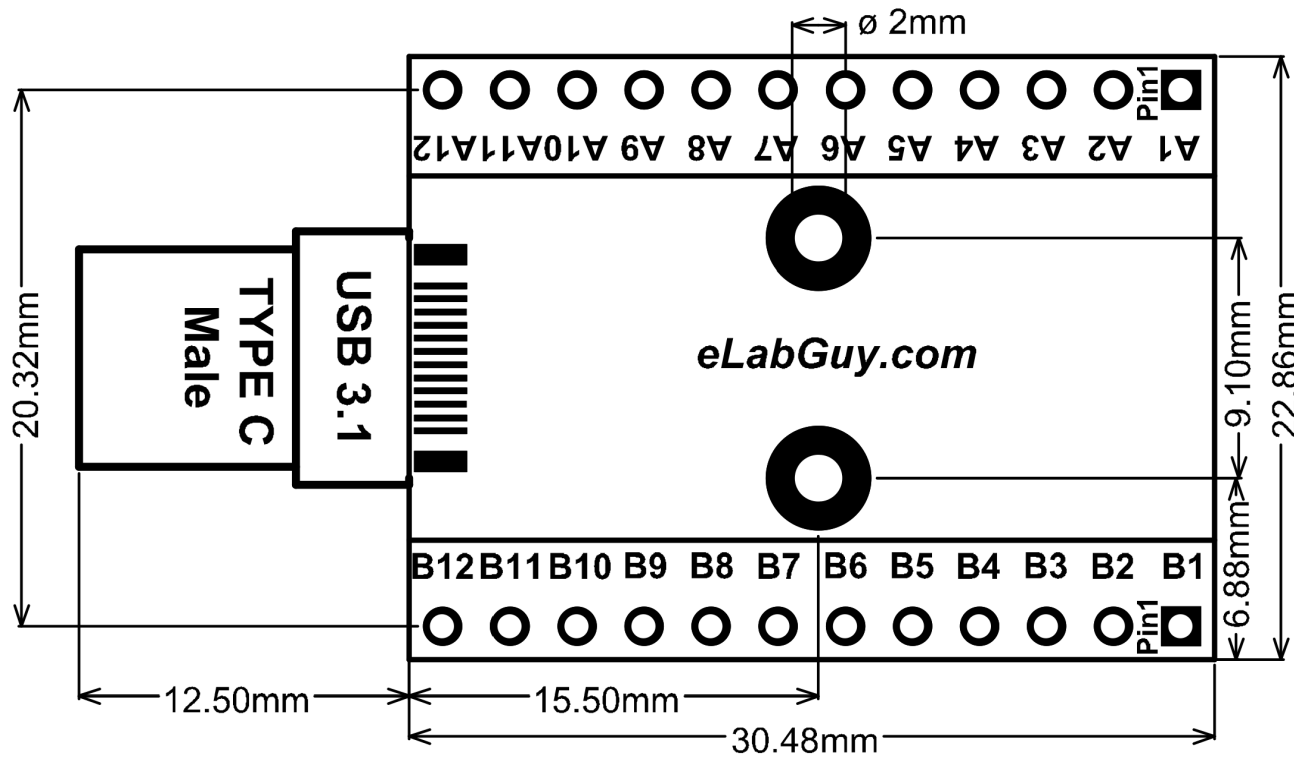
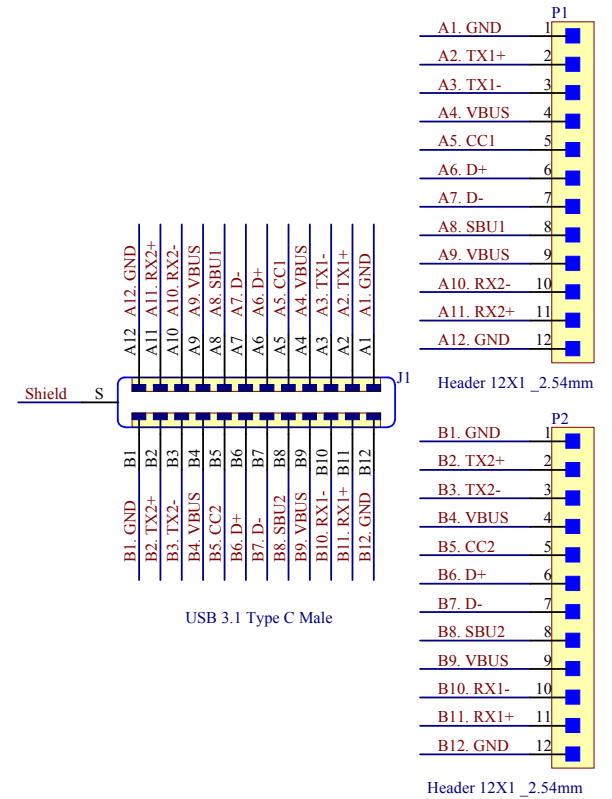


\* PCB 0.8mm THICKNESS



USB3.1-CM-BO-V1A PCB outline Drawing



USB3.1-CM-BO-V1A Schematic Diagram



Title <b>USB3.1 Type C Male Breakout</b>			
Size A4	Number <b>USB3.1-CM-BO-V1A</b>	Revision <b>1A</b>	
Date: 6/14/2015	Sheet of 1 of 1		Drawn By: www.eLabGuy.com
File: C:\Users\...USB3.1-CM-BO-V1A Drawing.Dwg			