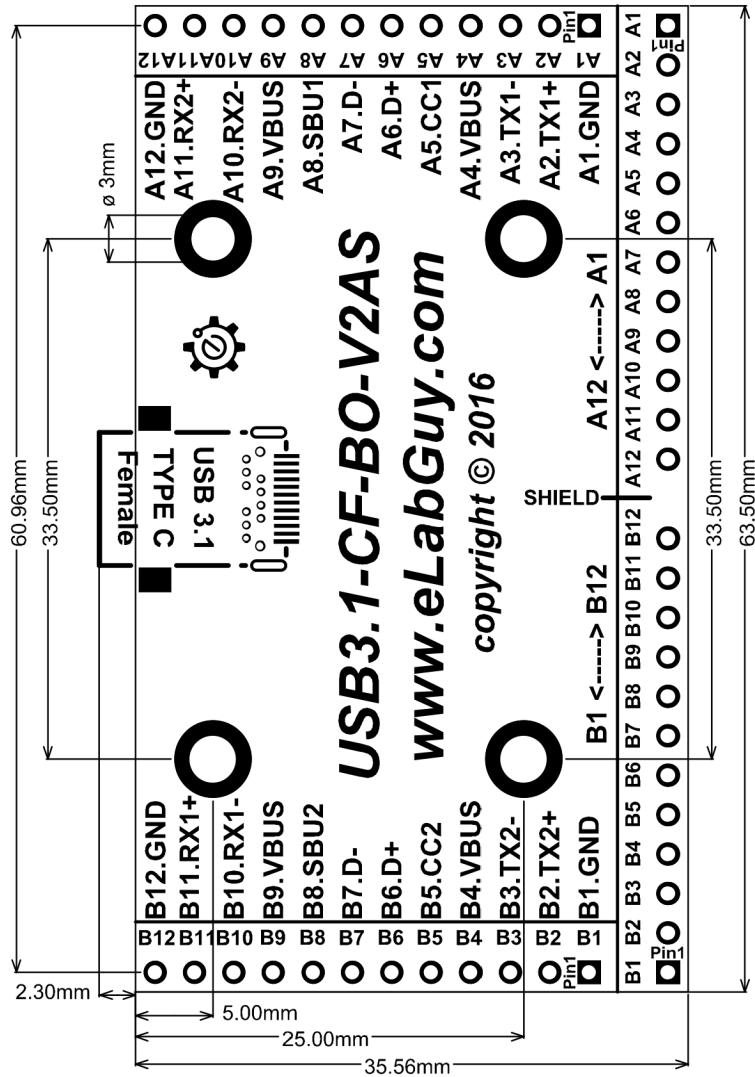
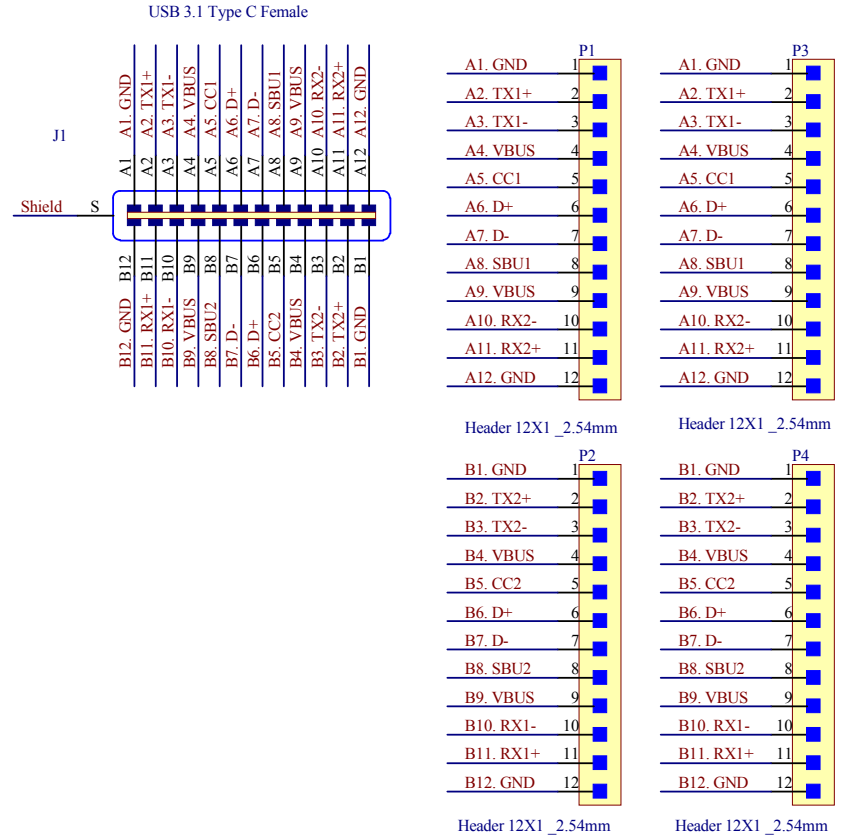


* PCB 1.60mm THICKNESS



PCB outline Drawing



Schematic Diagram



Title				USB3.1 Type C Female Breakout	
Size	Number	Revision			
A4	USB3.1-CF-BO-V2AS	2AS			
Date:	7/4/2016	Sheet of			
File:	C:\Users\...USB3.1-CF-BO-V2AS Drawing	Drawn By:		www.eLabGuy.com	