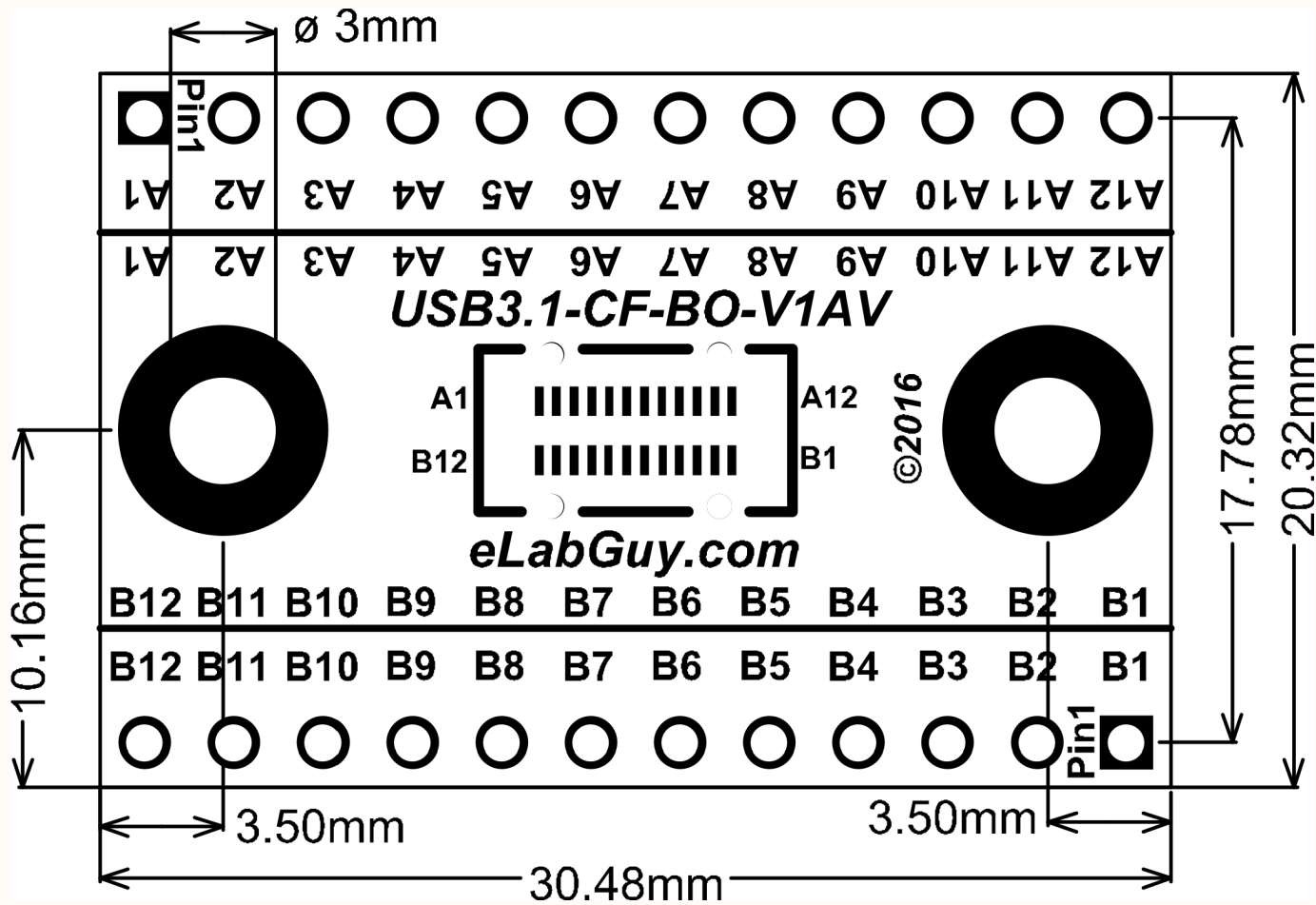
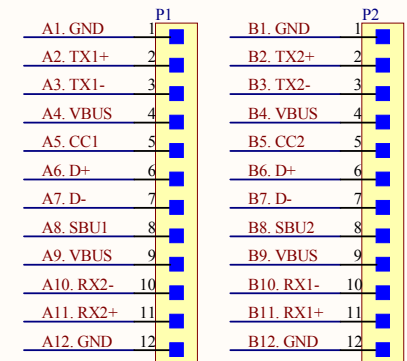
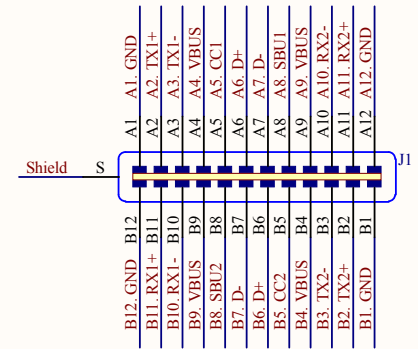


\* PCB 1.60mm THICKNESS



USB 3.1 Type C Female Vertical



Header 12X1 \_2.54mm

Header 12X1 \_2.54mm



Title			<b>USB3.1 Type C Female Breakout Vertical</b>		
Size	Number	Revision			
A4	<b>USB3.1-CF-BO-V1AV</b>	<b>1AV</b>			
Date:	11/5/2016	Sheet of		1 of 1	
File:	C:\Users\...USB3.1-CF-BO-V1AV Drawing		Downloaded by: <a href="http://www.eLabGuy.com">www.eLabGuy.com</a>		