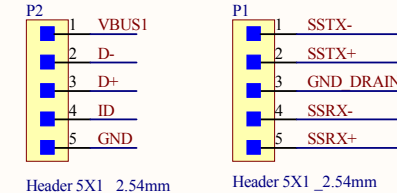
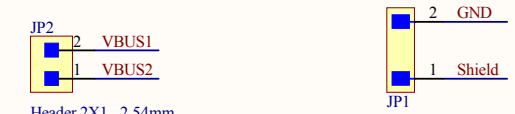
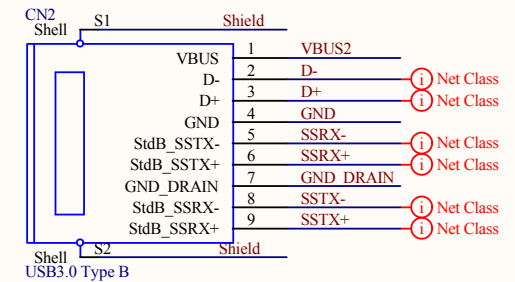
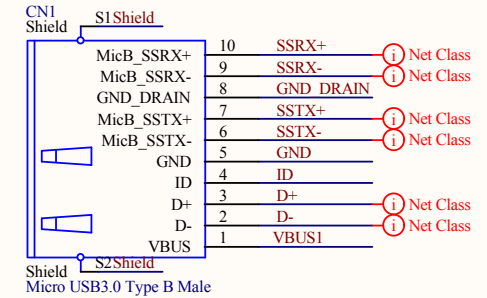
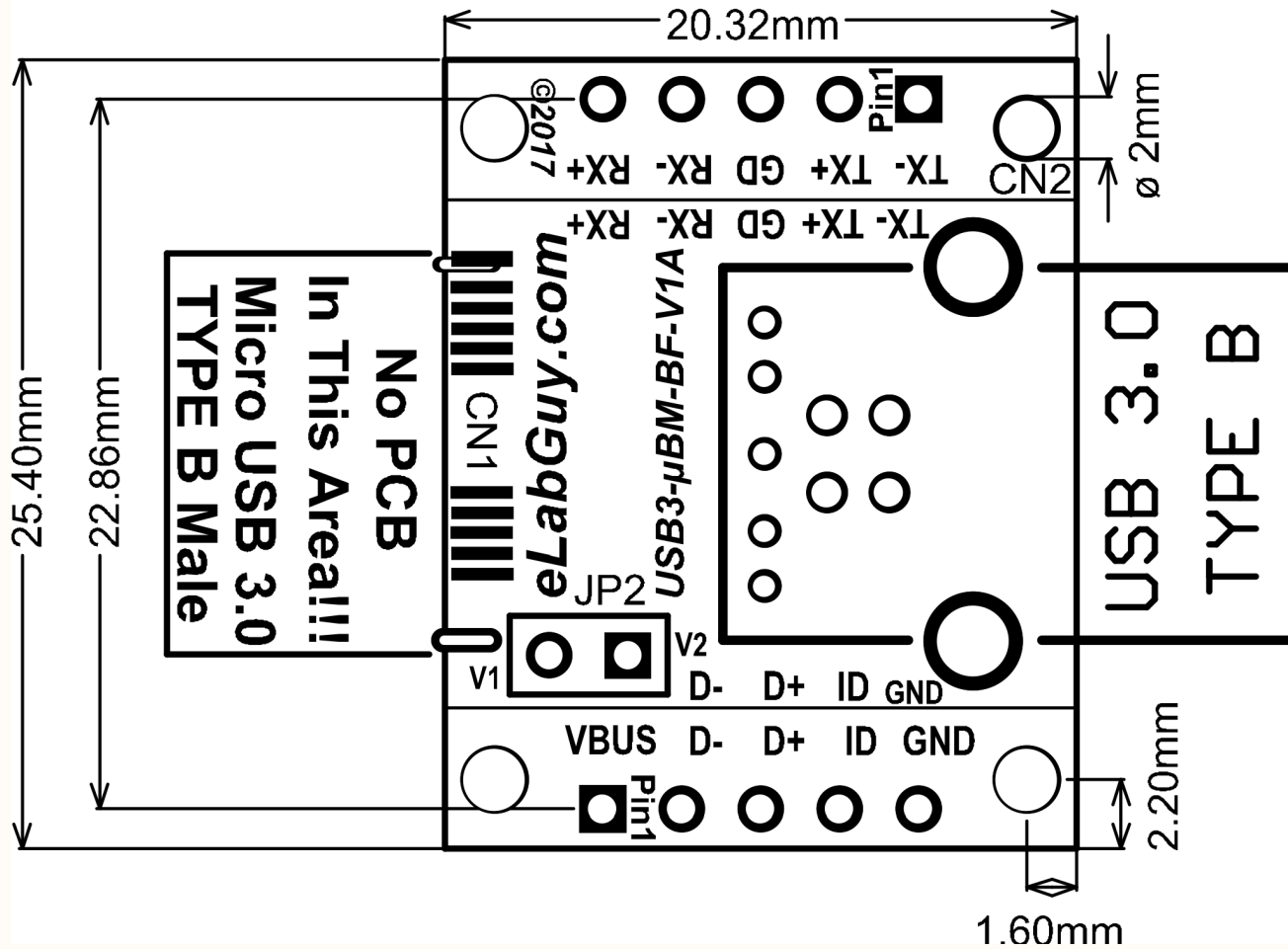


* 0.8mm THICK FR4 (2 LAYER BOARD)



Title		
USB3.0 Micro Type B Male to Type B Female Breakout		
Size	Number	Revision
A4	USB3-μBM-BF-V1A	1A
Date:	9/6/2017	Sheet of
File:	C:\Users\...USB3-μBM-BF-V1A Drawing	Created By: www.eLabGuy.com