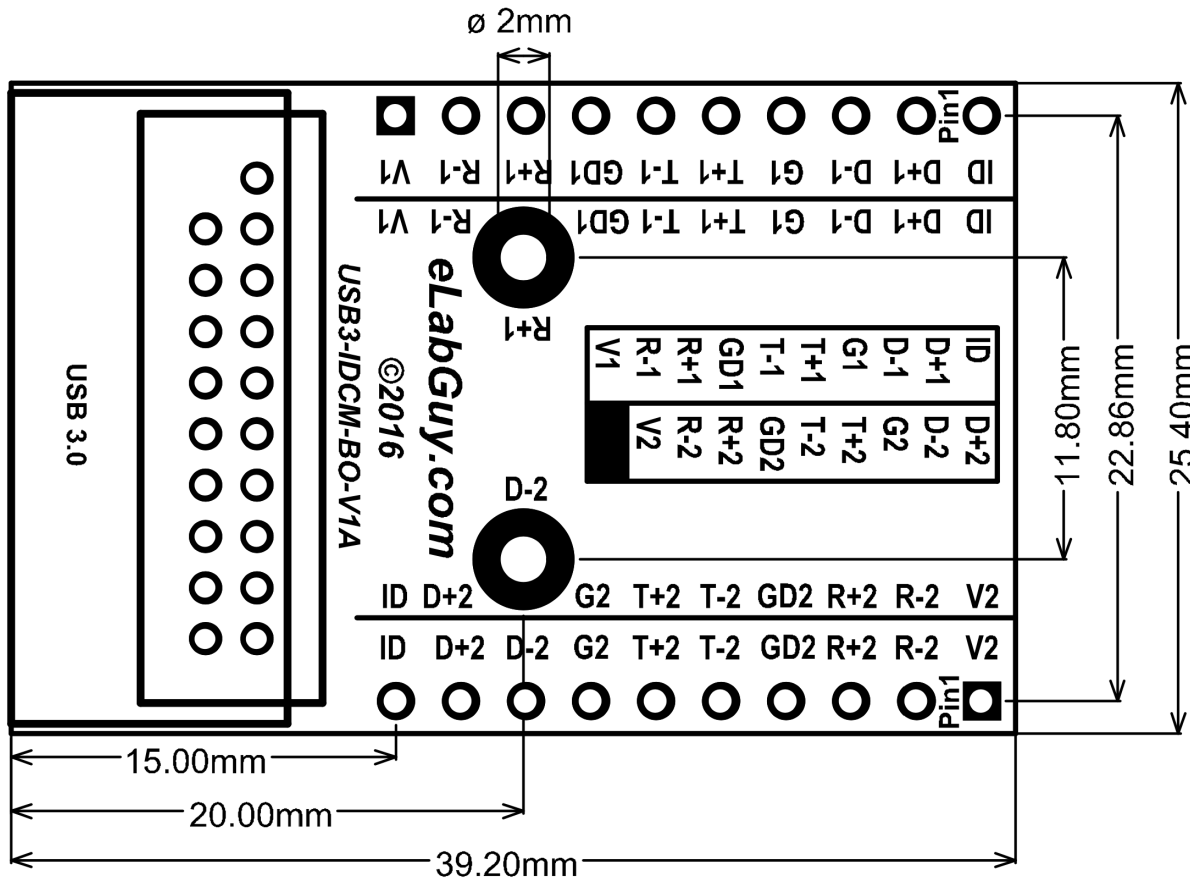
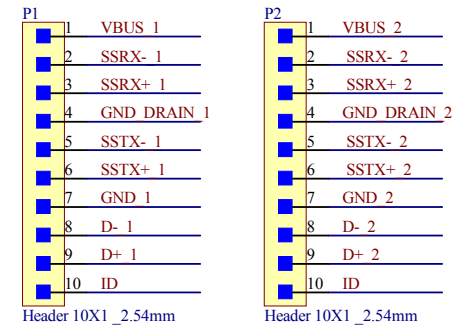


\* PCB 1.60mm THICKNESS



CN1			
ID	10	P2_D+	11 D+ 2
D+ 1	9	P2_D-	12 D- 2
D- 1	8	P1_D+	13 GND 2
GND 1	7	P1_D-	14 SSTX+ 2
SSTX+ 1	6	P1_GND	15 SSTX- 2
SSTX- 1	5	P1_SSTX+	16 GND DRAIN 2
GND DRAIN 1	4	P1_SSTX-	17 SSRX+ 2
SSRX+ 1	3	P1_GND_DRAIN	18 SSRX- 2
SSRX- 1	2	P1_SSRX+	19 VBUS 2
VBUS 1	1	P1_SSRX-	
		P2_SSTX+	
		P2_SSTX-	
		P2_GND_DRAIN	
		P2_SSRX+	
		P2_SSRX-	
		P2_VBUS	
		P1_VBUS	

USB3.0 IDC Male PC connector



USB3-IDCM-BO-V1A PCB outline Drawing

## USB3-IDCM-BO-V1A Schematic Diagram



Title				USB3.0 Dual IDC Male Breakout	
Size	Number	Revision			
A4	USB3-IDCM-BO-V1A	1A			
Date:	3/14/2016	Sheet of			
File:	C:\Users\...USB3-IDCM-BO-V1A Drawing	Drawing By:		www.eLabGuy.com	