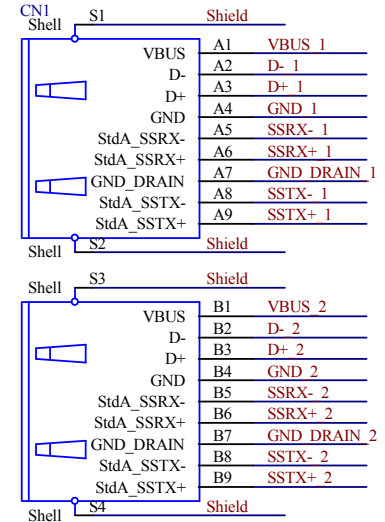
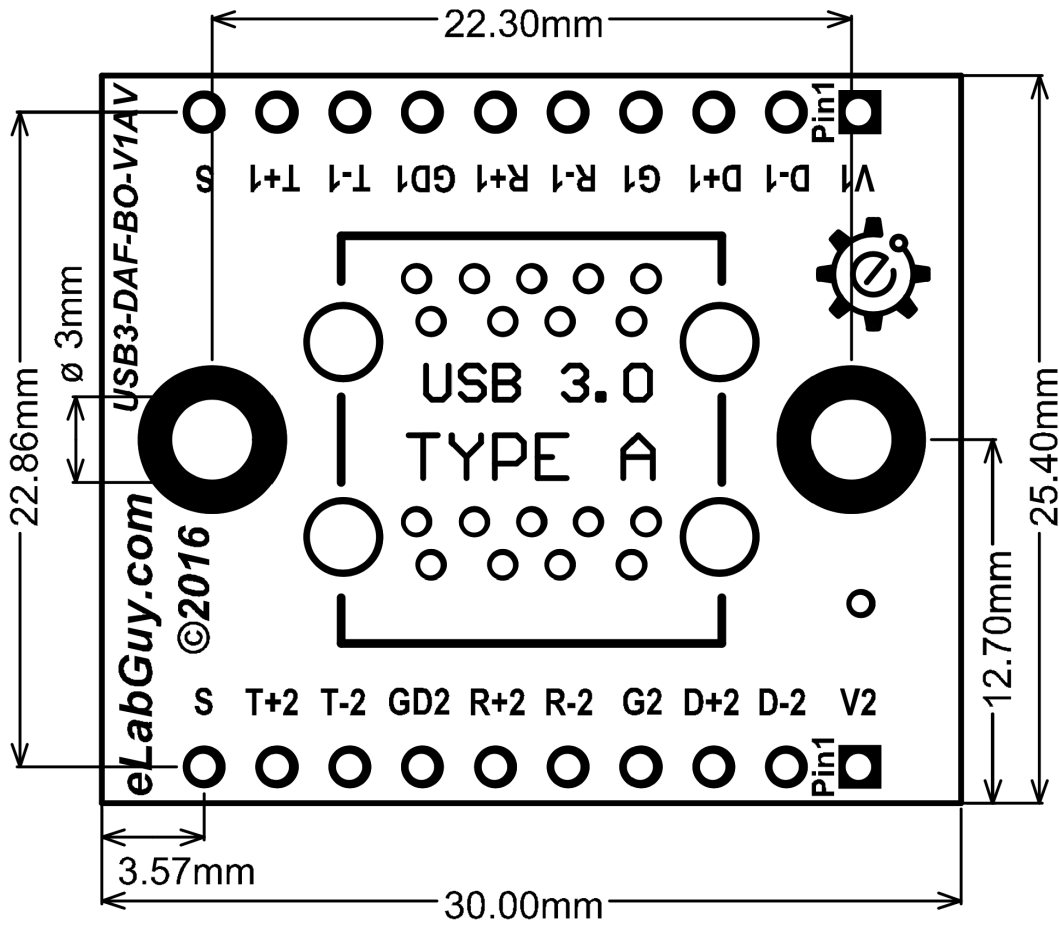
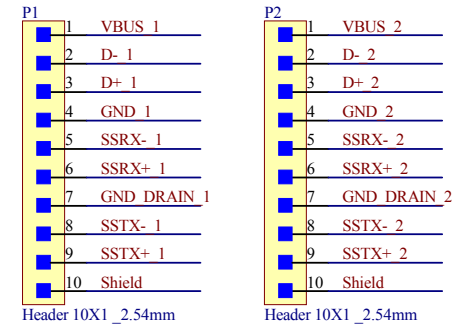


\* PCB 1.60mm THICKNESS



USB3.0 Dual Type A Female Vertical



## USB3-DAF-BO-V1AV Schematic Diagram



## USB3-DAF-BO-V1AV PCB outline Drawing

Title			<b>USB3.0 Dual Type A Female Vertical Breakout</b>		
Size	Number	Revision			
A4	<b>USB3-DAF-BO-V1AV</b>	<b>1AV</b>			
Date:	3/14/2016	Sheet of			
File:	C:\Users\...USB3-DAF-BO-V1AV Drawing	Drawn By:	www.eLabGuy.com		