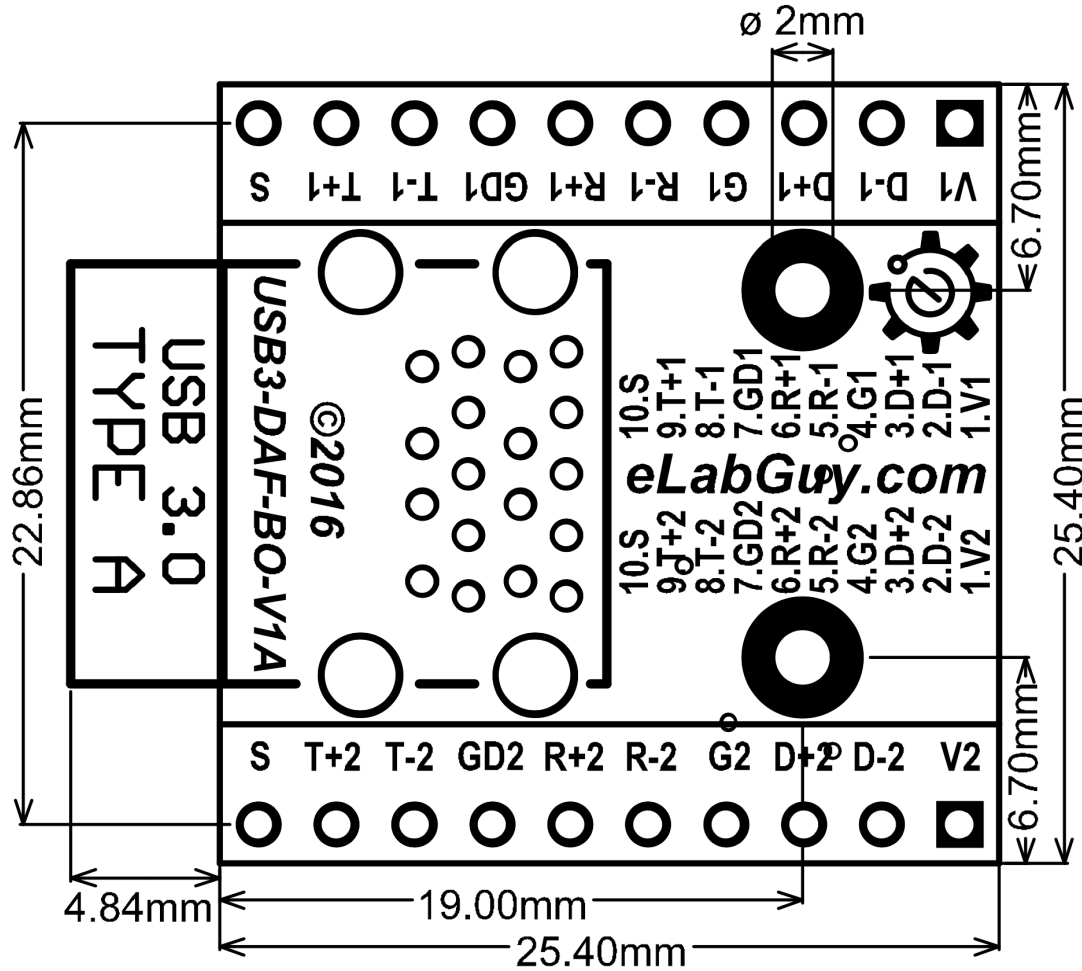
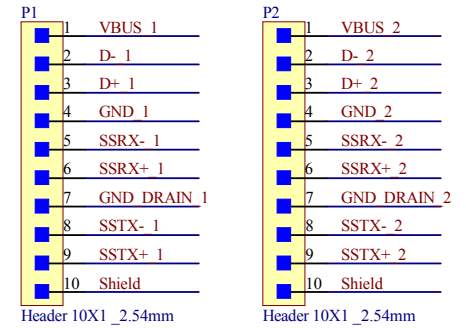
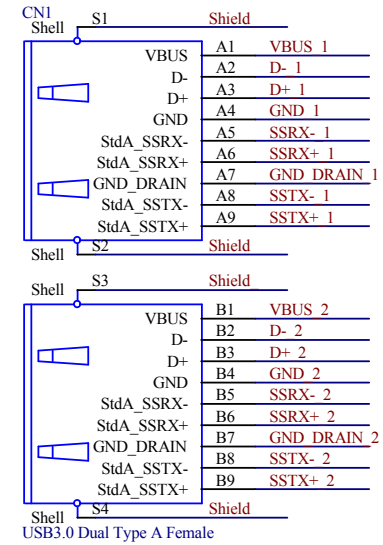


\* PCB 1.60mm THICKNESS



USB3-DAF-BO-V1A PCB outline Drawing



USB3-DAF-BO-V1A Schematic Diagram



Title			USB3.0 Dual Type A Female Breakout		
Size	Number	Revision			
A4	USB3-DAF-BO-V1A	1A			
Date:	3/14/2016	Sheet of			
File:	C:\Users\...USB3-DAF-BO-V1A Drawing	Created By:	www.eLabGuy.com		