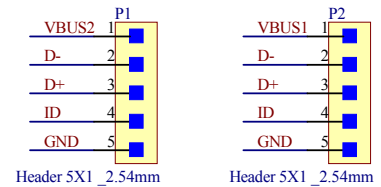
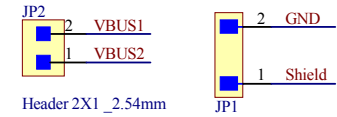
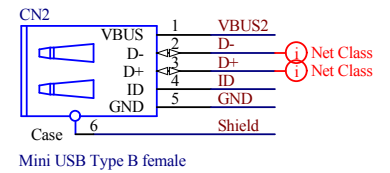
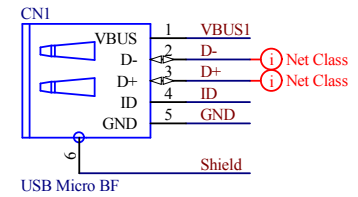
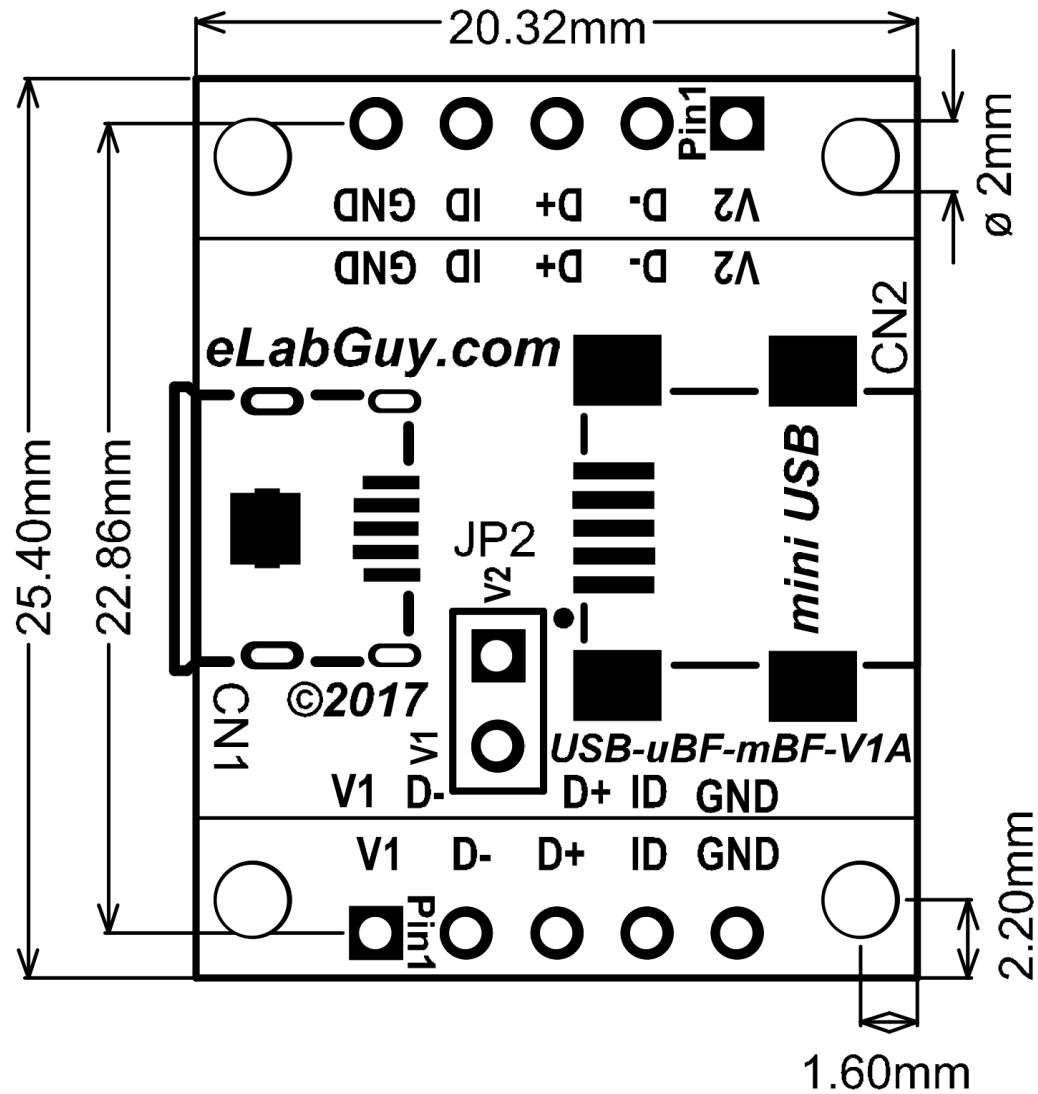


* PCB 1.60mm THICKNESS



Title			USB2.0 Micro Type B Female to Mini Type B Female Pass Through		
Size	Number	Revision			
A4	USB-uBF-mBF-V1A	1A			
Date:	11/30/2017	Sheet of			
File:	C:\Users\...USB-uBF-mBF-V1A Drawing	SohDocBy:		www.eLabGuy.com	