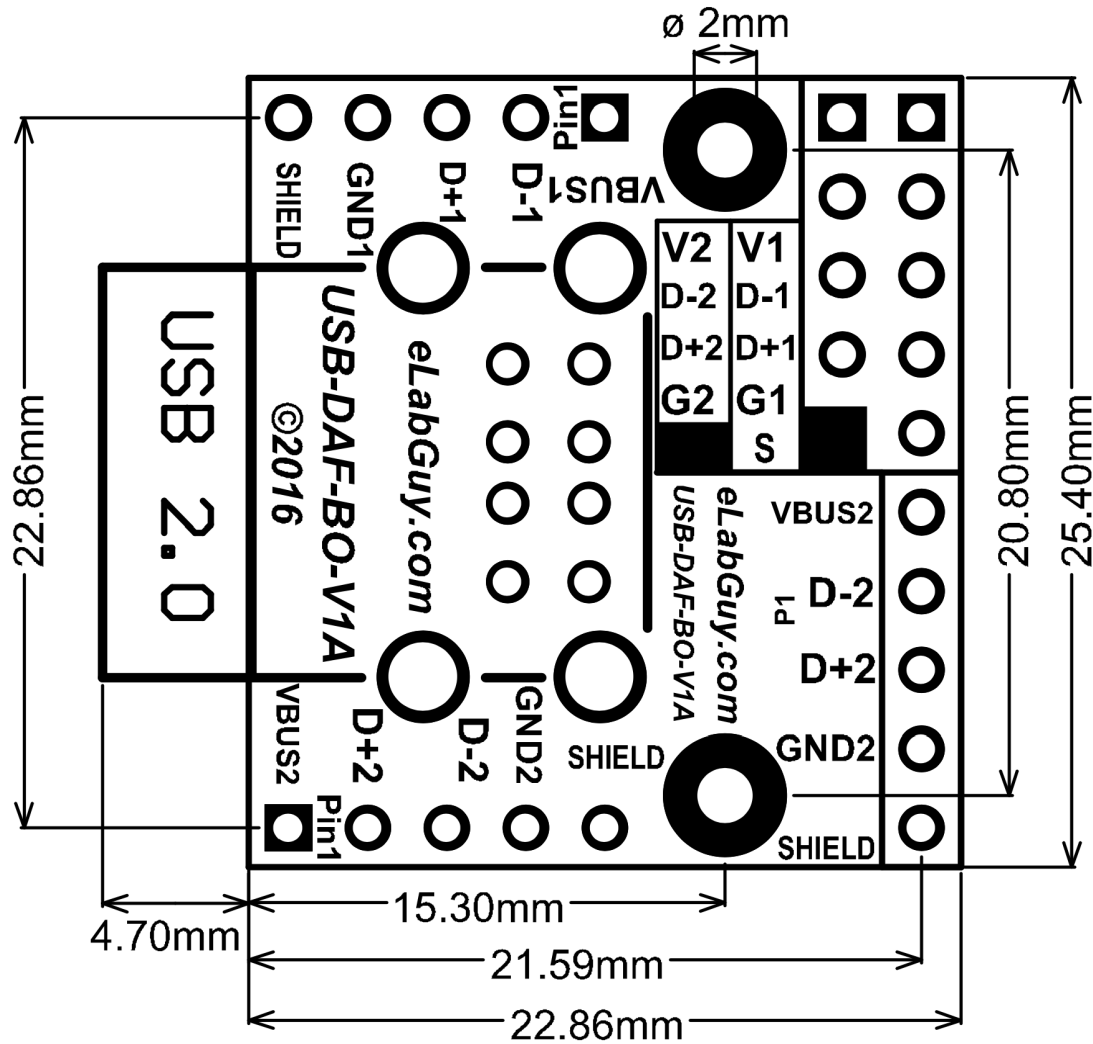
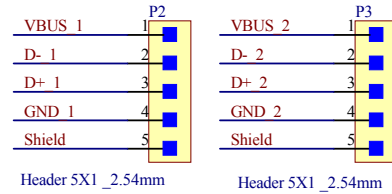
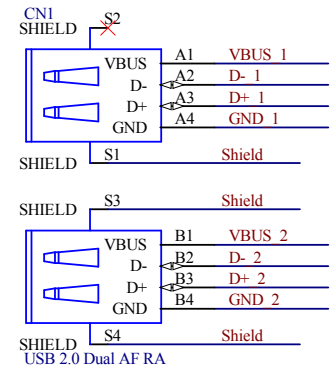


\* PCB 1.60mm THICKNESS

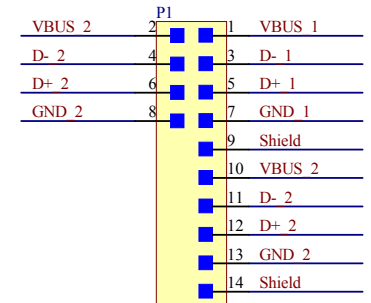


**USB-DAF-BO-V1A PCB outline Drawing**



Header 5X1\_2.54mm

Header 5X1\_2.54mm



Header 10X1\_4X1\_USB DUAL 2.54mm

**USB-DAF-BO-V1A Schematic Diagram**



Title <b>USB2.0 Dual Type A Female Breakout</b>		
Size A4	Number <b>USB-DAF-BO-V1A</b>	Revision <b>1A</b>
Date: 3/14/2016	Sheet of	
File: C:\Users\...USB-DAF-BO-V1A Drawing Sub By: <a href="http://www.eLabGuy.com">www.eLabGuy.com</a>		