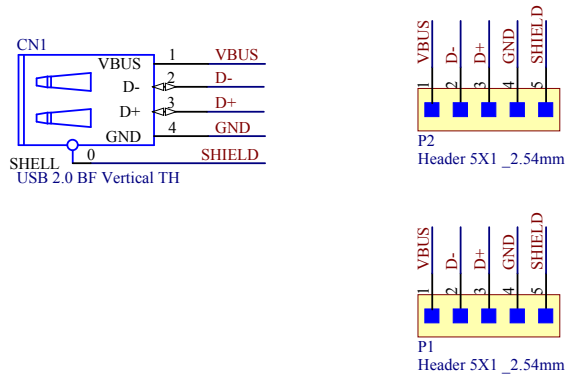


USB-BF-BO-V1AV PCB outline Drawing



USB-BF-BO-V1AV Schematic Diagram



Title		
USB2.0 Type B Female Vertical Breakout		
Size	Number	Revision
A4	USB-BF-BO-V1AV	1AV
Date:	11/11/2015	Sheet of
File:	C:\Users\...USB-BF-BO-V1AV Drawing	Drawn By: www.ElabGuy.com