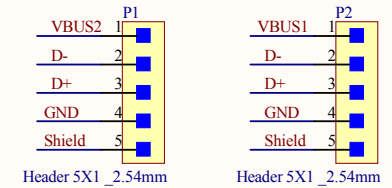
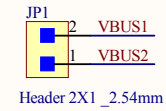
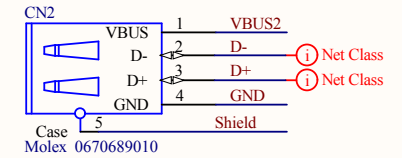
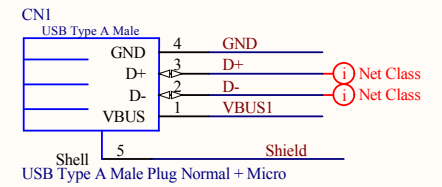
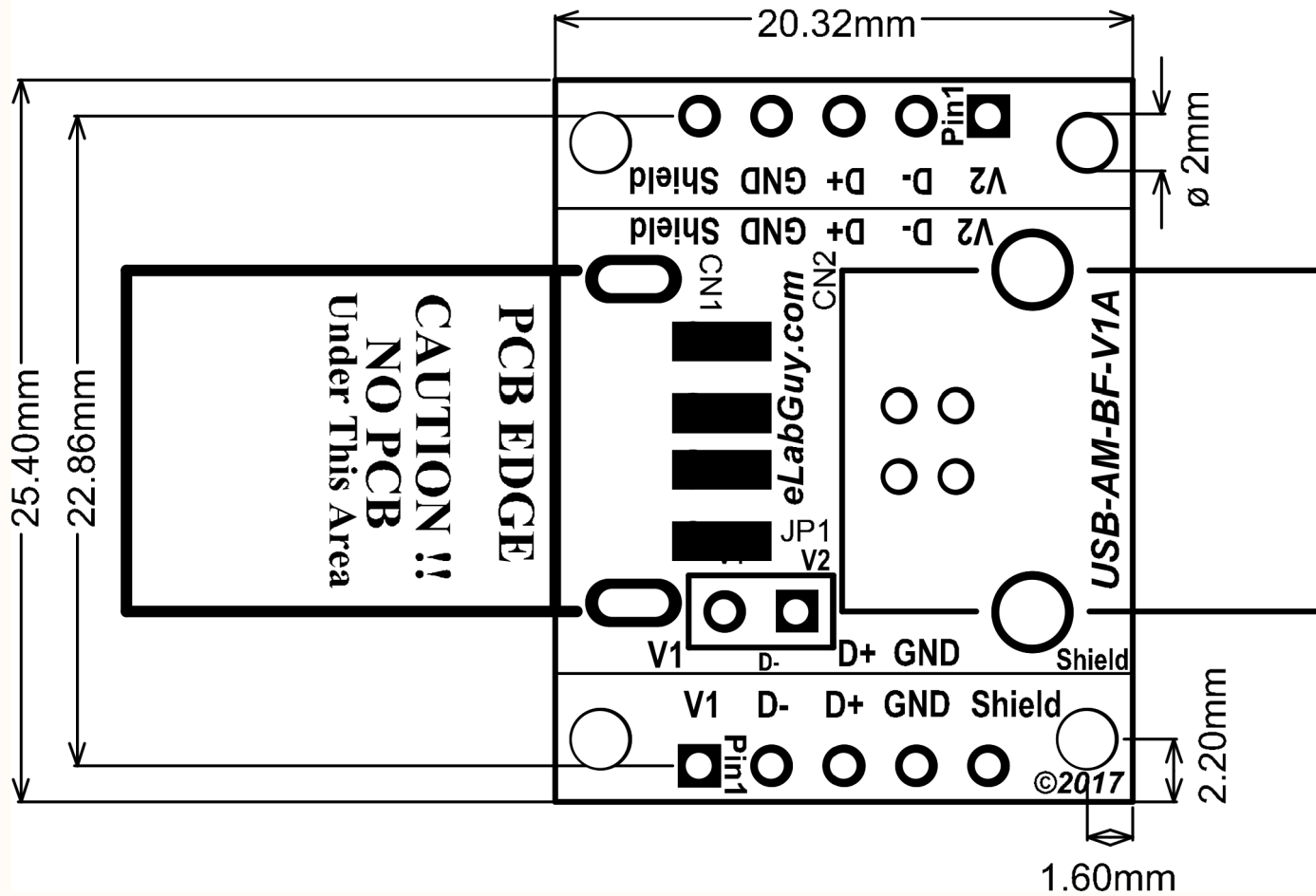


\* 1.6mm THICK FR4 (2 LAYER BOARD)



Title			USB2.0 Type A Male to Type A Female Breakout		
Size	Number	Revision			
A4	USB-AM-AF-V1A	1A			
Date:	9/6/2017	Sheet of			
File:	C:\Users\...USB-AM-BF-V1A Drawing.SchDoc	Drawn By:		www.eLabGuy.com	