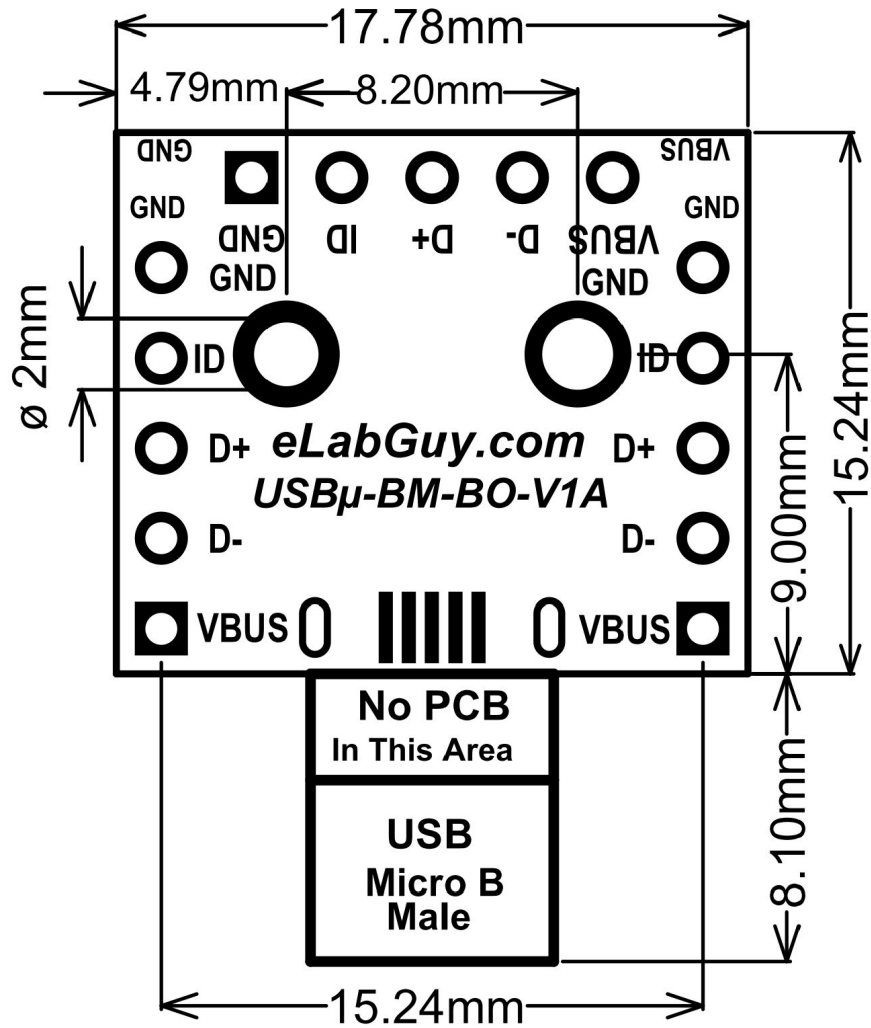
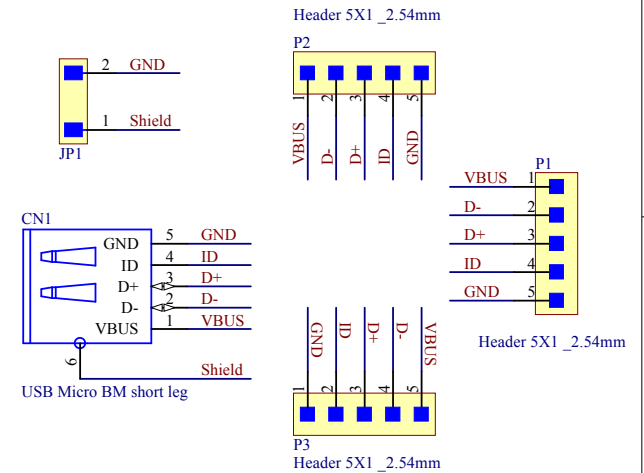


\* PCB 1.6mm THICKNESS



USB $\mu$ -BM-BO-V2A PCB outline Drawing



USB $\mu$ -BM-BO-V2A Schematic Diagram



Title			
Micro USB Type B Male Breakout			
Size	Number	Revision	
A4	USB $\mu$ -BM-BO-V2A	2A	
Date:	7/23/2015	Sheet of	
File:	C:\Users\...USB $\mu$ -BM-BO-V2A Drawing	Drawn By:	www.eLabGuy.com