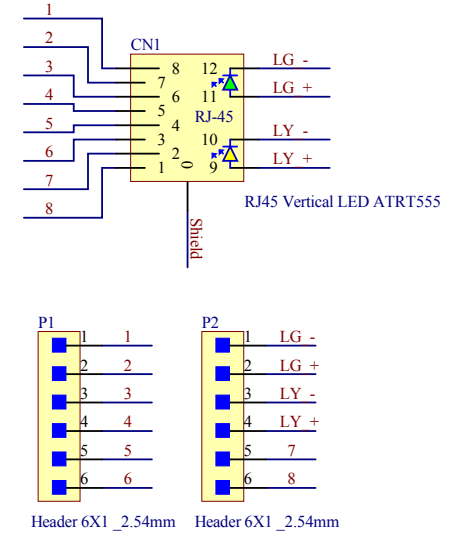
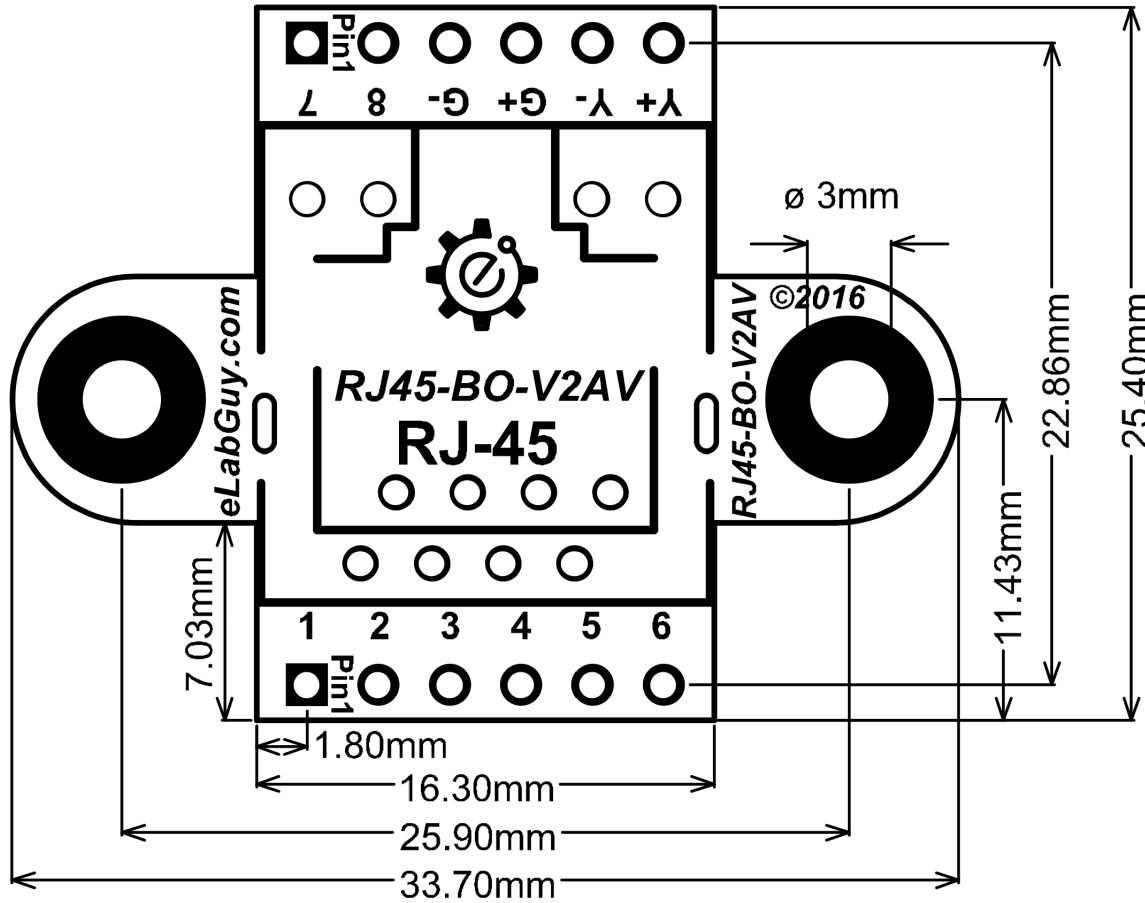


\* PCB 1.60mm THICKNESS



**RJ45-F-BO-V2AV Schematic Diagram**

**RJ45-F-BO-V2AV PCB outline Drawing**



Title <b>RJ45 Female Breakout</b>		
Size A4	Number <b>RJ45-F-BO-V2AV</b>	Revision <b>2AV</b>
Date: 3/14/2016	Sheet of	
File: C:\Users\...RJ45 BO V2AV Drawing.Sch Drawn By: <a href="http://www.eLabGuy.com">www.eLabGuy.com</a>		