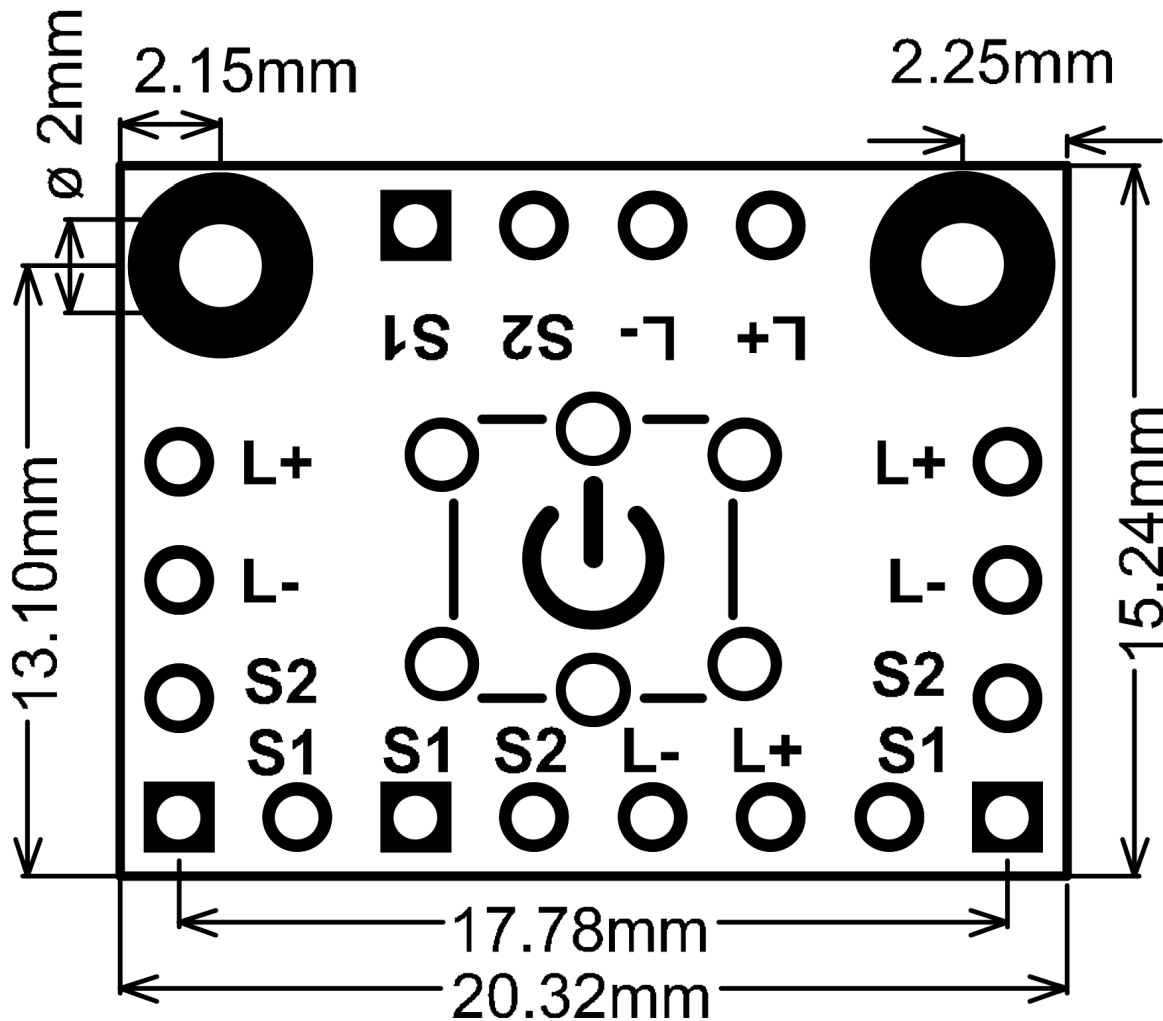
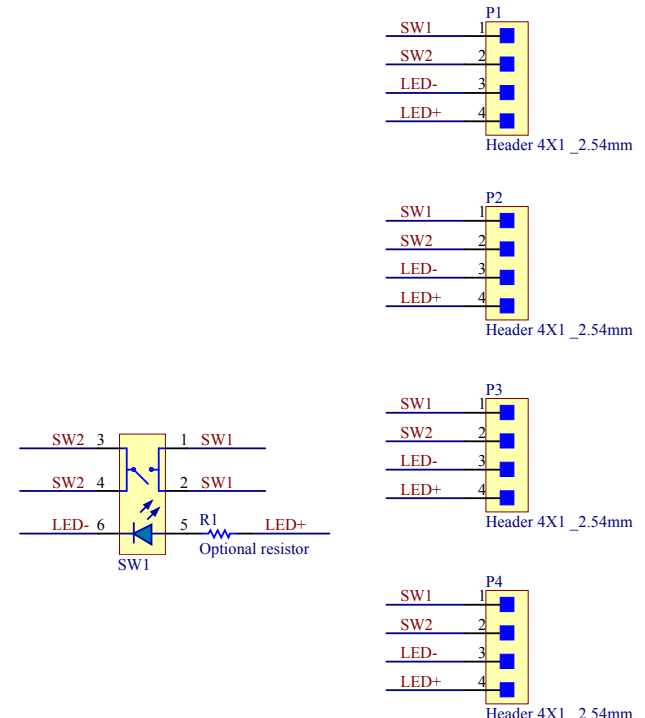


* PCB 1.6mm THICKNESS



LEDSW-BO-V1A PCB outline Drawing



LEDSW-BO-V1A Schematic Diagram



Title			
Switch With LED Breakout			
Size	Number	Revision	
A4	LEDSW-BO-V1A	1A	
Date:	6/11/2015	Sheet of	
File:	C:\Users\...LEDSW-BO-V1A Drawing.SchDoc	Drawn By:	www.eLabGuy.com