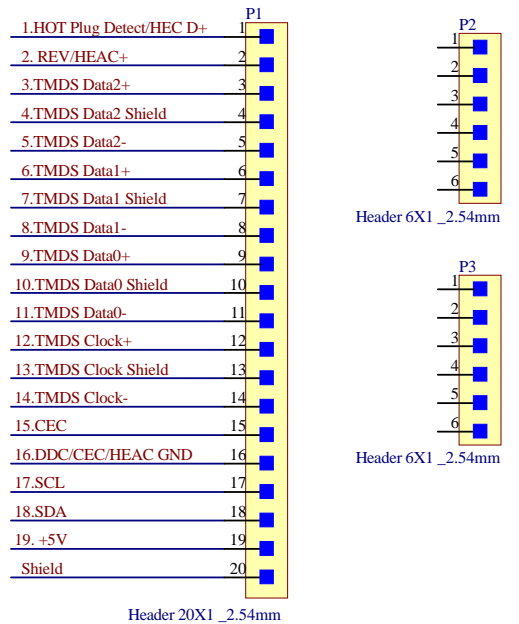
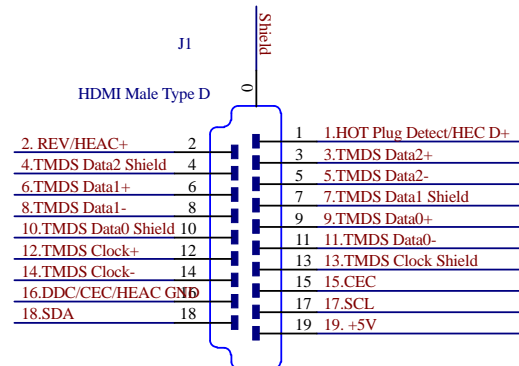


\* PCB 1.20mm THICKNESS



Title				<b>HDMI TYPE D Male Breakout (Side)</b>	
Size	Number	Revision			
A4	<b>HDMI-DM-BO-V1AS</b>	<b>1AS</b>			
Date:	11/9/2018	Sheet	of		
File:	C:\Users\...HDMI-DM-BO-V1AS Drawing	By:	www.eLabGuy.com		