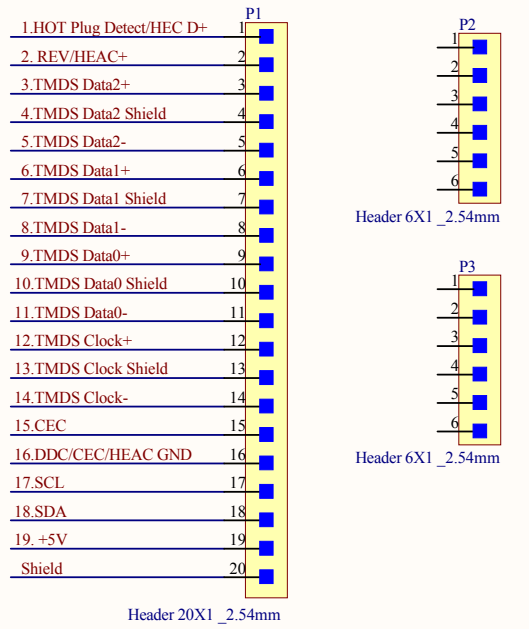
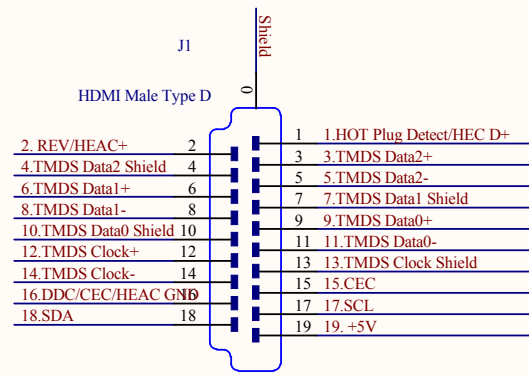


\* PCB 1.60mm THICKNESS



Title			<b>HDMI TYPE D Male Breakout (Side)</b>		
Size	Number	Revision			
A4	<b>HDMI-DM-BO-V1AS</b>	<b>1AS</b>			
Date:	11/5/2016	Sheet of			
File:	C:\Users\...HDMI-DM-BO-V1AS Drawing	Sheet No:		www.eLabGuy.com	