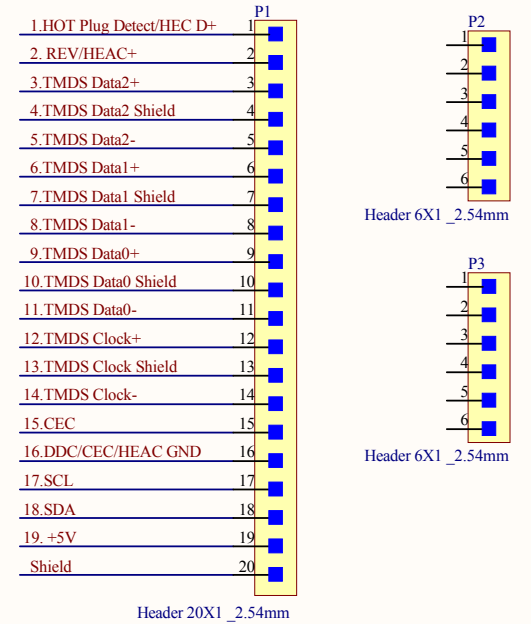
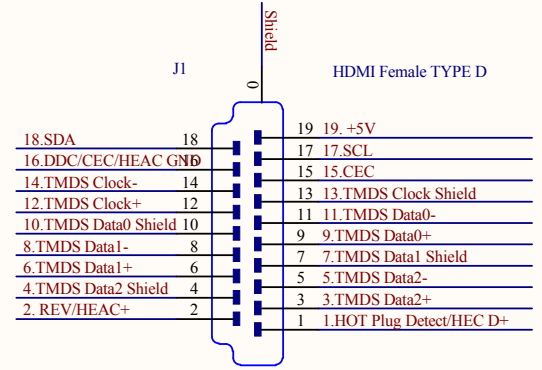


* PCB 1.60mm THICKNESS



Title HDMI TYPE D Female Breakout (Side)			
Size A4	Number HDMI-DF-BO-V1AS	Revision 1AS	
Date: 11/5/2016	Sheet of	By: www.eLabGuy.com	
File: C:\Users\...HDMI-DF-BO-V1AS Drawing	Sub	Doc	