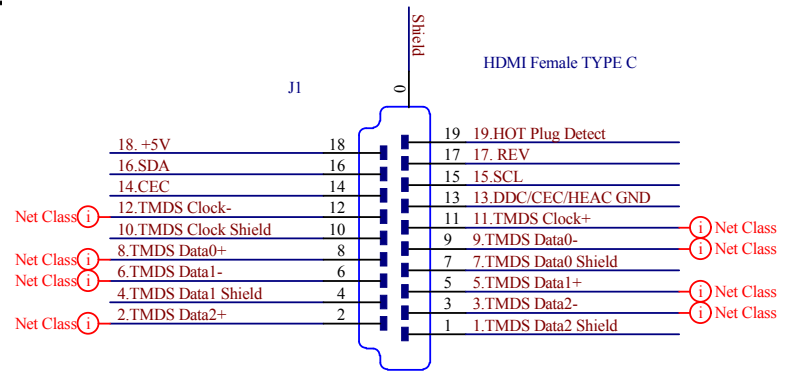
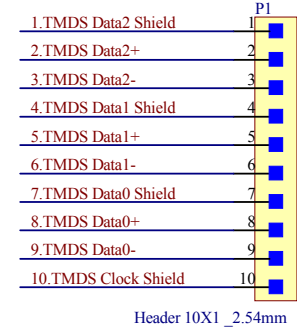
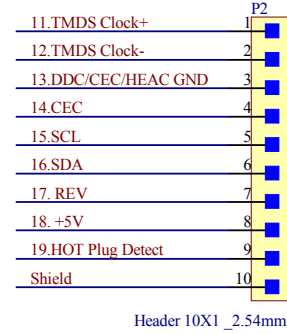
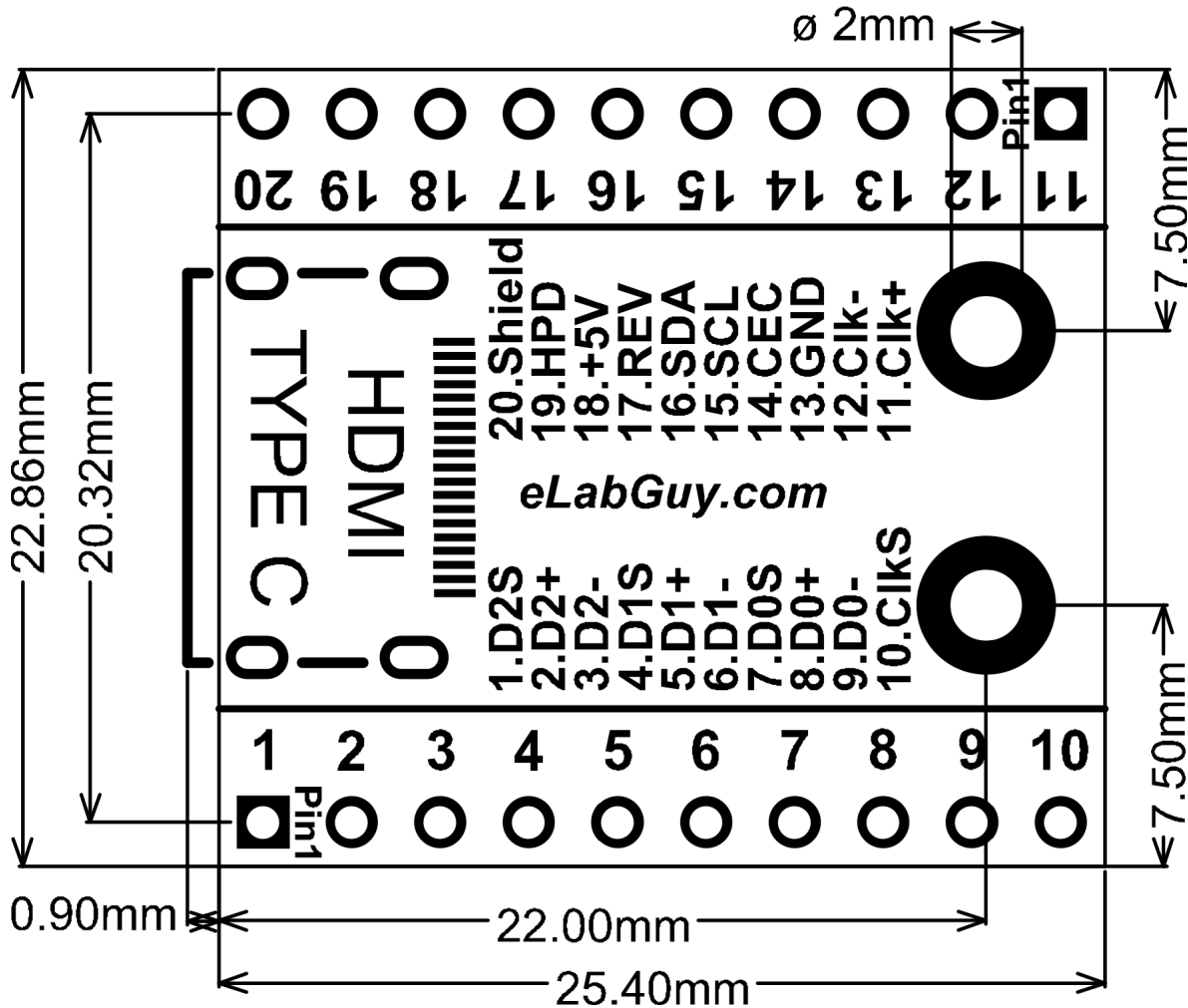


* PCB 1.6mm THICKNESS



Title			mini HDMI TYPE C Female Breakout		
Size	Number	Revision			
A4	HDMI-CF-BO-V2A	2A			
Date:	8/11/2017	Sheet of			
File:	C:\Users\...HDMI-CF-BO-V2A Drawing	Sub: 1		By: www.eLabGuy.com	