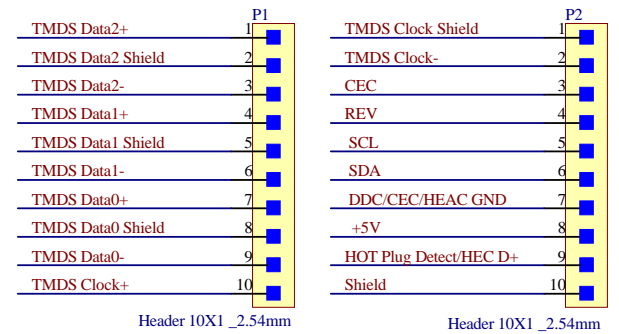
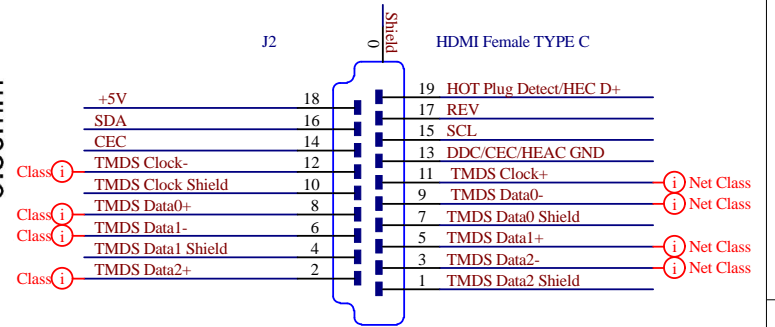
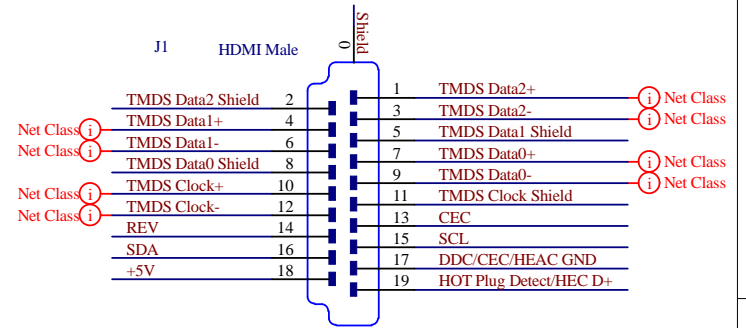
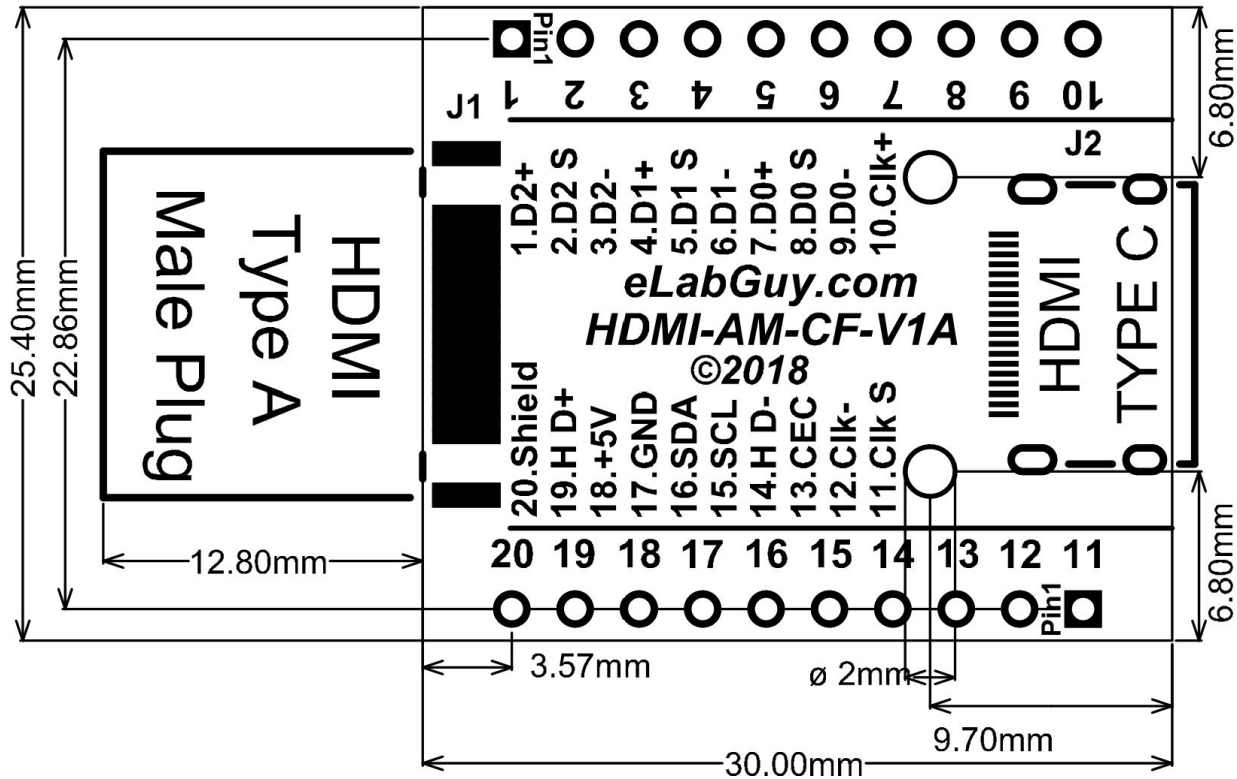


*PCB 1.6mm THICKNESS



Title		
HDMI Type A Female to Type C Female Breakout		
Size	Number	Revision
A4	HDMI-AF-CF-V1A	1A
Date:	11/5/2018	Sheet of
File:	C:\Users\...HDMI-AM-CF-VA Drawing.SchDoc	Drawn By: www.eLabGuy.com