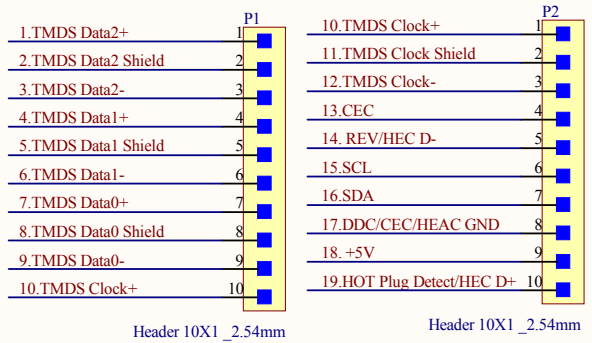
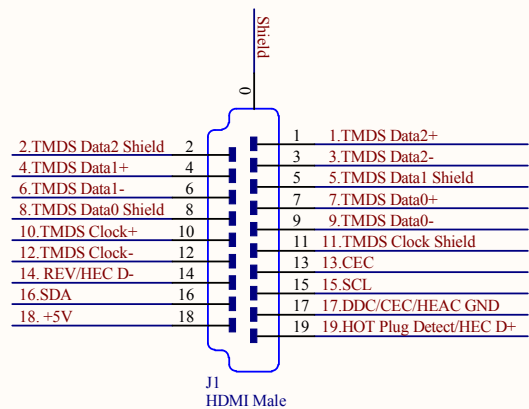
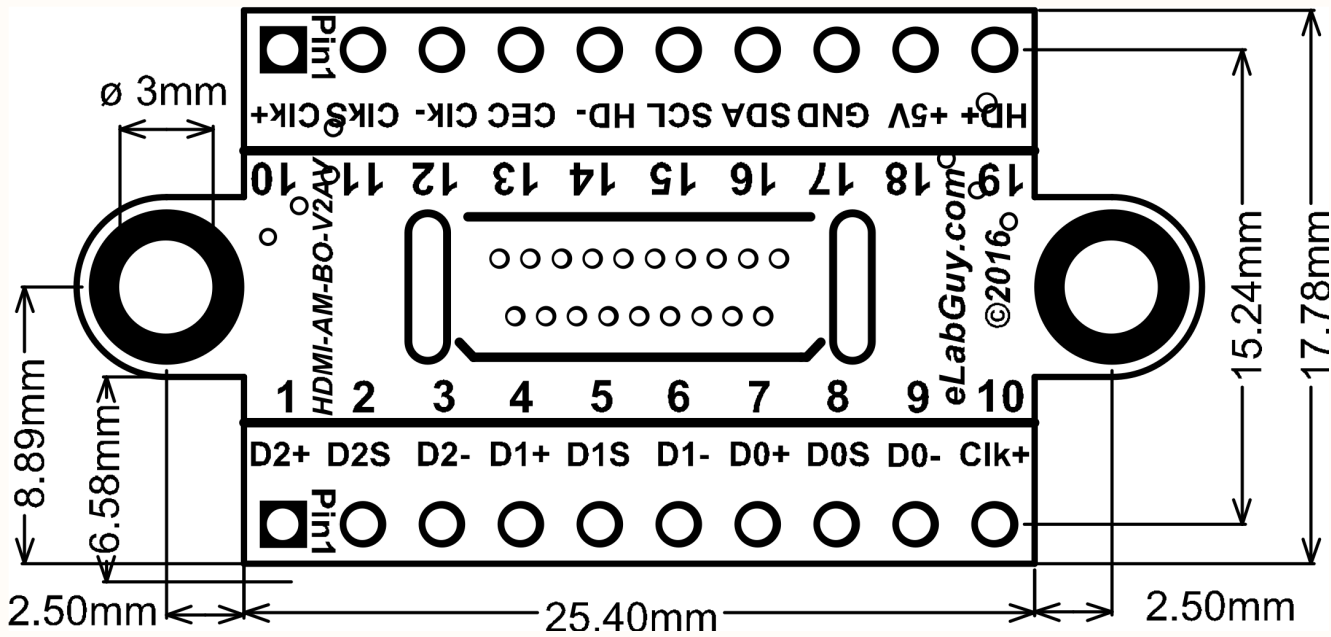


* PCB 1.60mm THICKNESS



Title				HDMI TYPE A Male Breakout Vertical	
Size	Number	Revision			
A4	HDMI-AM-BO-V2AV	2AV			
Date:	11/5/2016	Sheet of			
File:	C:\Users\...HDMI-AM-BO-V2AV Drawing	Drawn By:	www.eLabGuy.com		