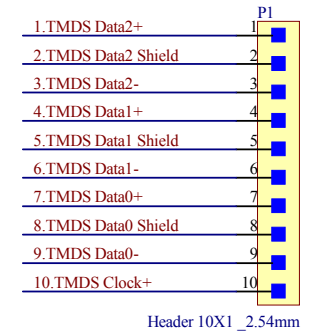
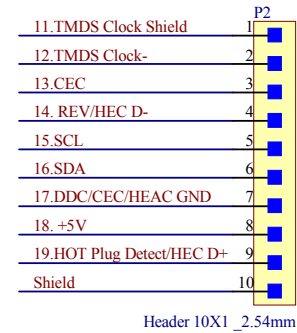
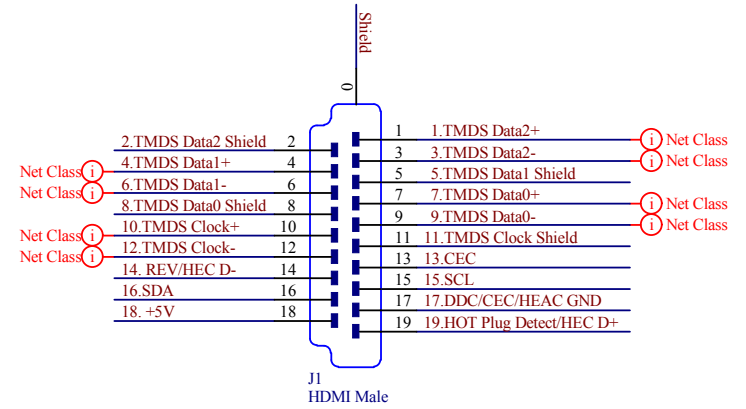
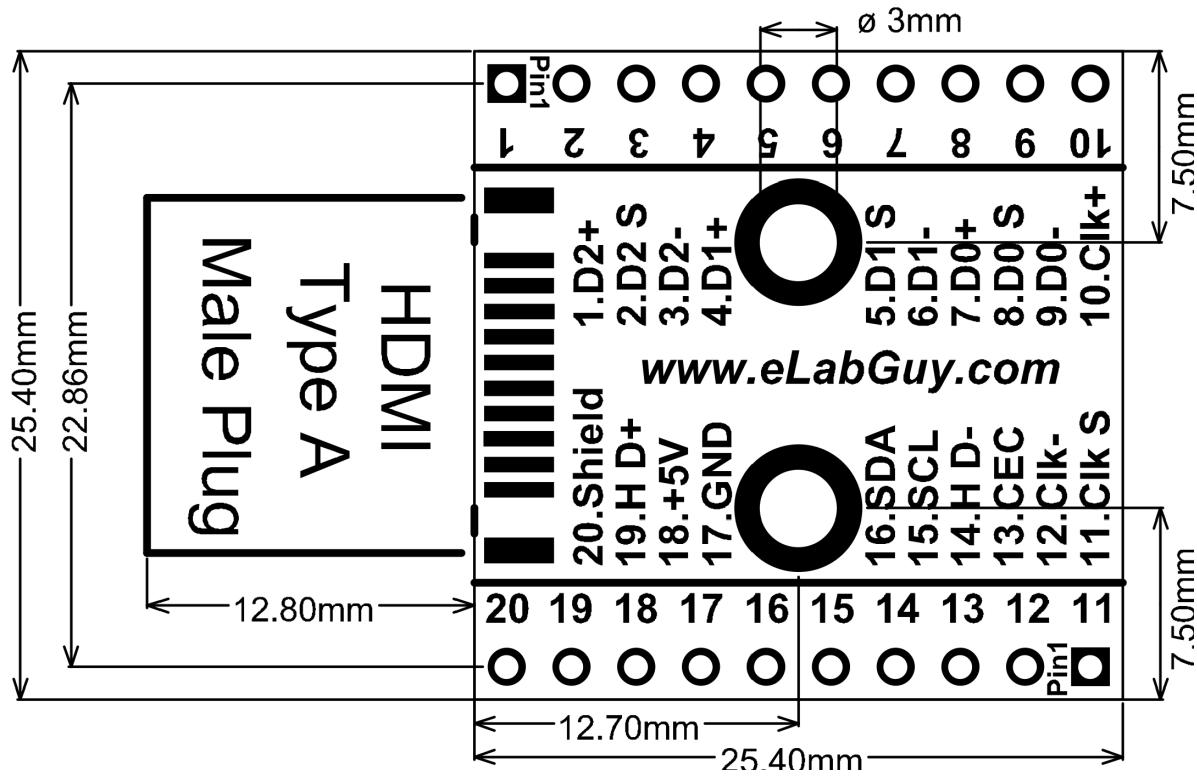


* PCB 1.6mm THICKNESS



Title				HDMI Type A Male Breakout	
Size	Number	Revision			
A4	HDMI-AM-BO-V2A	2A			
Date:	8/11/2017	Sheet of			
File:	C:\Users\...HDMI-AM-BO-V2A Drawing	SolidWorks By:		www.eLabGuy.com	