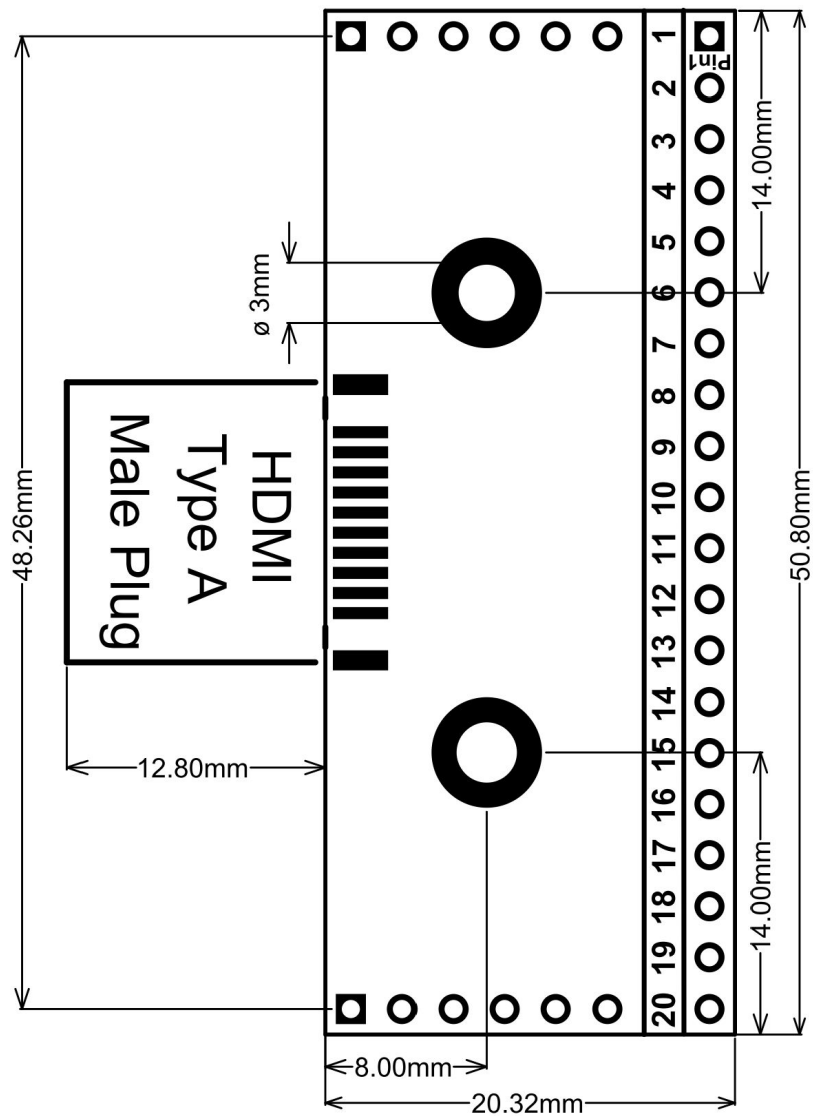
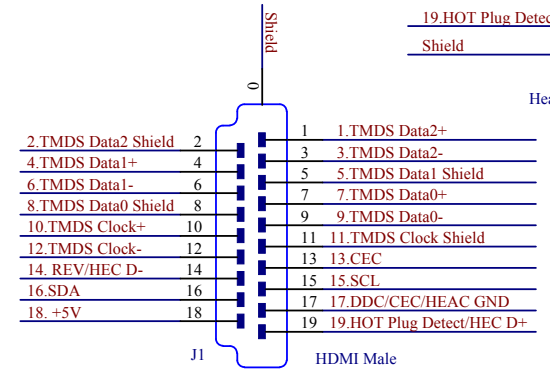
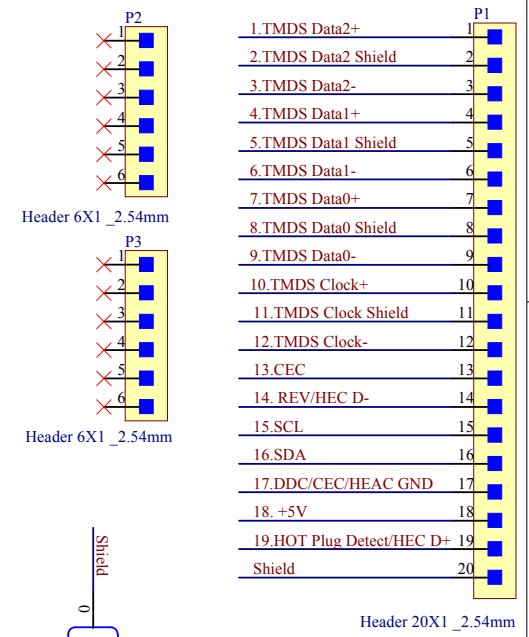


* PCB 1.6mm THICKNESS



HDMI-AM-BO-V1AS PCB outline Drawing



HDMI-AM-BO-V1AS Schematic Diagram



Title			
HDMI Type C Male Breakout			
Size	Number	Revision	
A4	HDMI-AM-BO-V1AS	1AS	
Date:	7/23/2015	Sheet of	
File:	C:\Users\...HDMI-AM-BO-V1AS Drawing	Drawn By:	www.eLabGuy.com