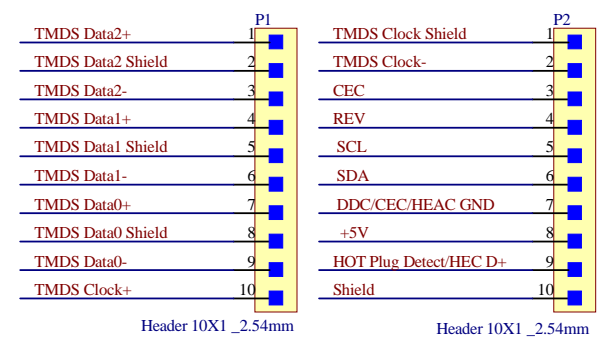
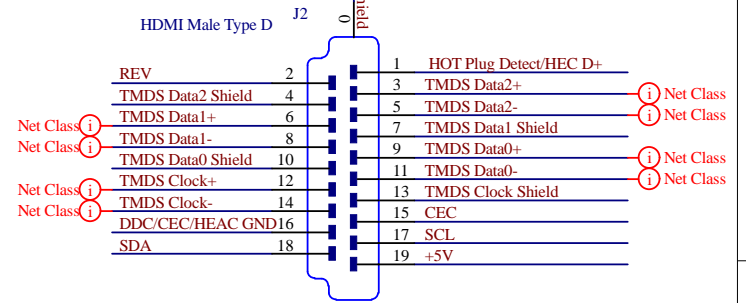
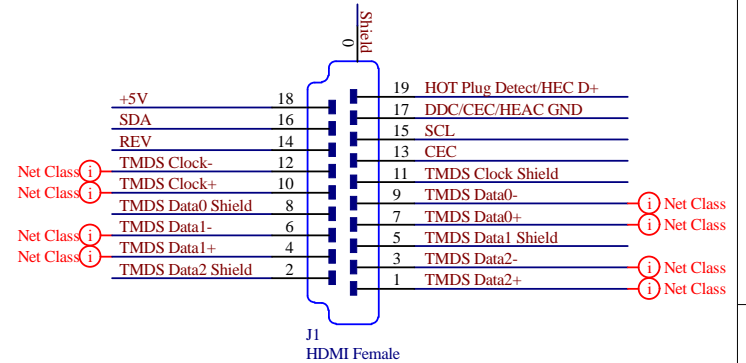
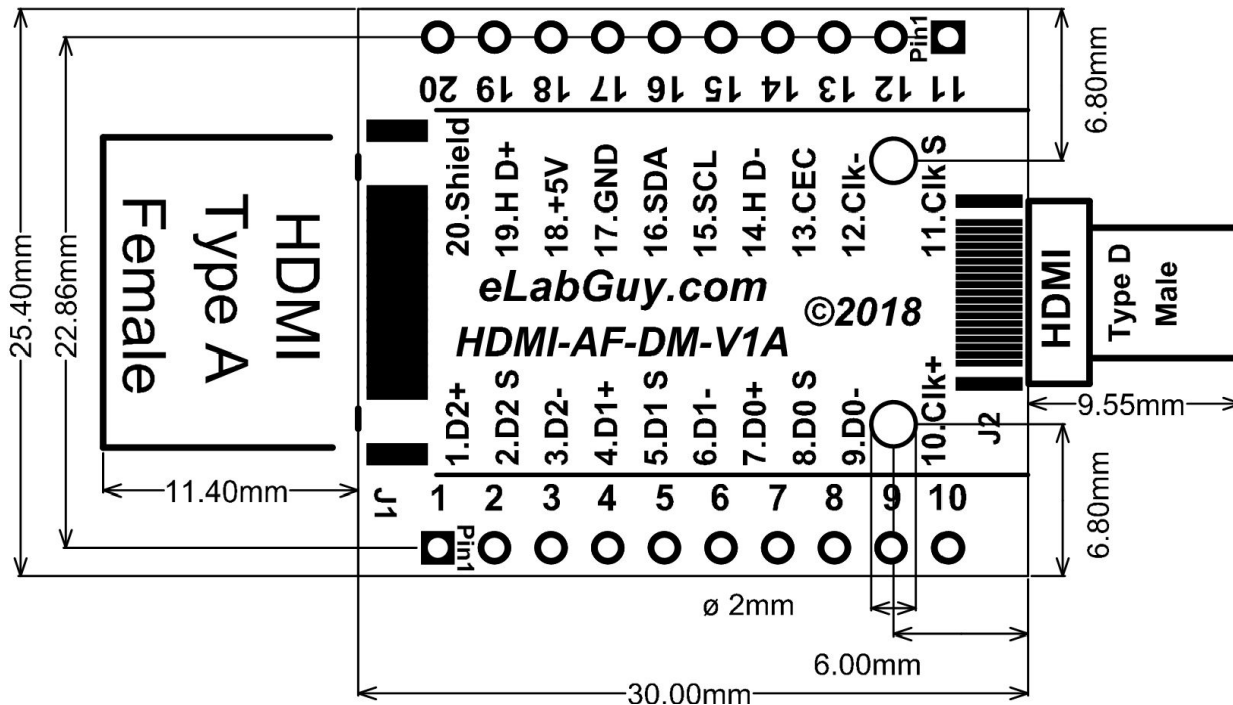


\*PCB 1.2mm THICKNESS



Title		
<b>HDMI Type A Female to Type D Male Breakout</b>		
Size	Number	Revision
A4	<b>HDMI-AF-DM-V1A</b>	<b>1A</b>
Date:	11/5/2018	Sheet of
File:	C:\Users\...HDMI-AF-DM-VA Drawing.SchDoc	Drawn By: <a href="http://www.eLabGuy.com">www.eLabGuy.com</a>