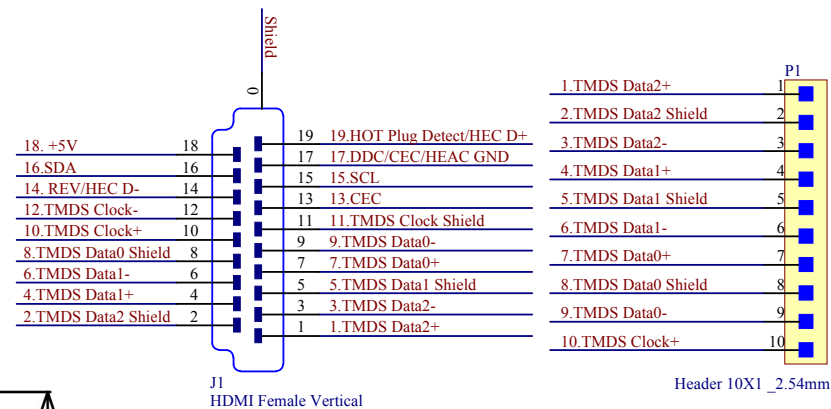


HDMI-AF-BO-V2AV PCB outline Drawing



HDMI-AF-BO-V2AV Schematic Diagram



Title			
HDMI Type A Female Vertical Breakout			
Size	Number	Revision	
A4	HDMI-AF-BO-V2AV	2AV	
Date:	11/11/2015	Sheet of	
File:	C:\Users\...HDMI-AF-BO-V2AV Drawing	Drawn By:	www.ElabGuy.com