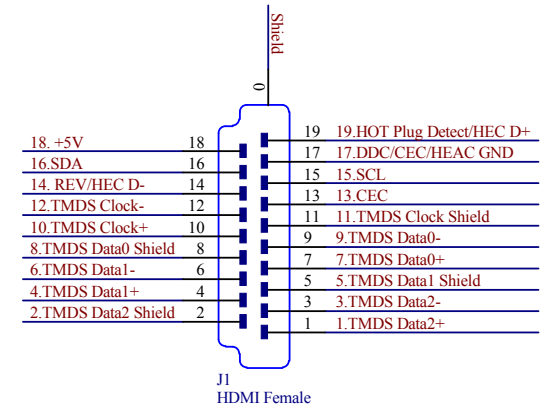
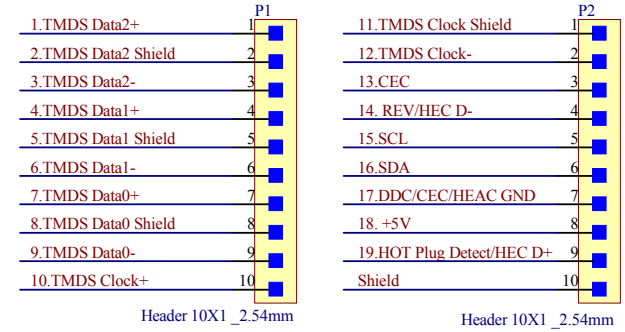
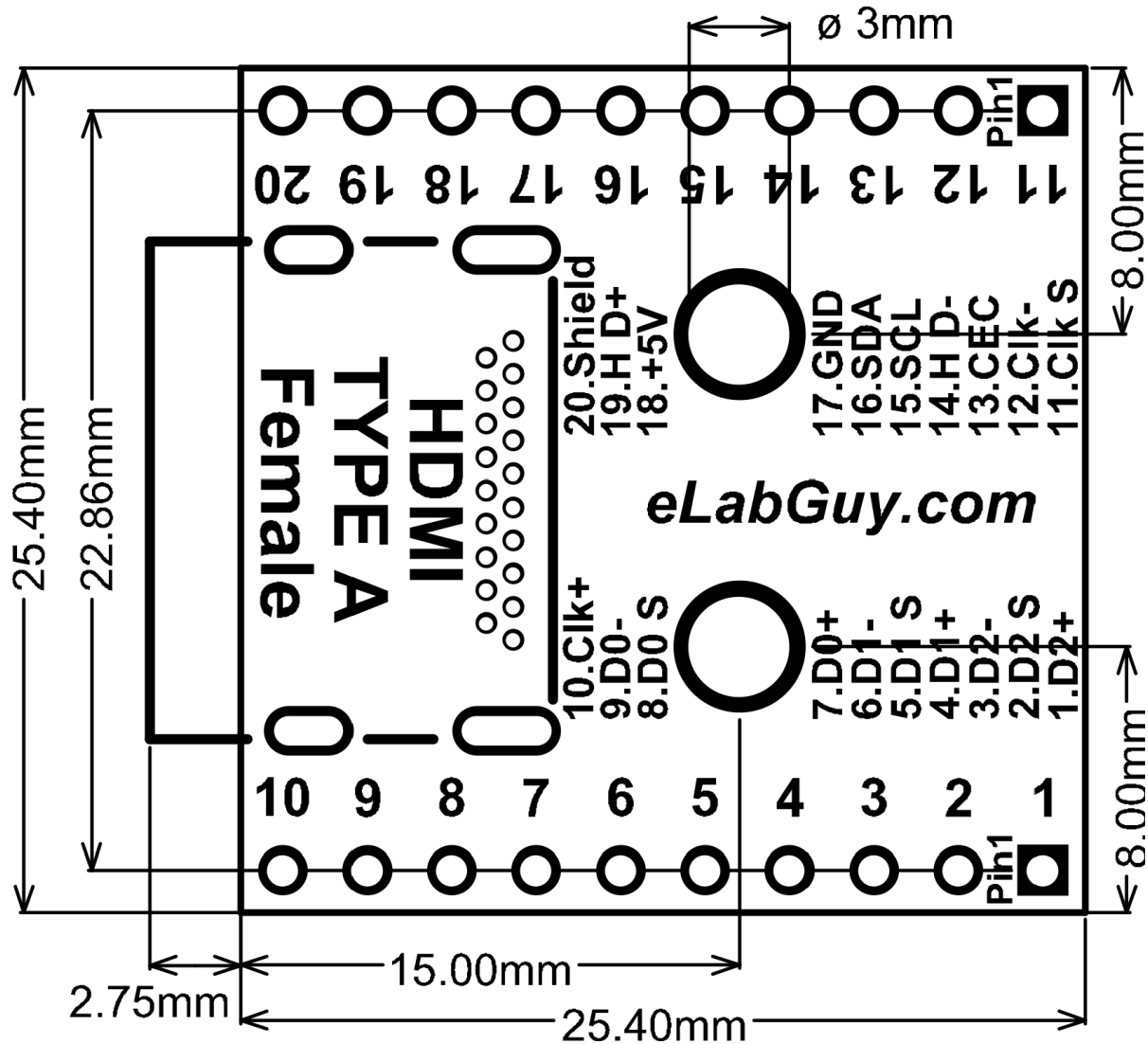


* PCB 1.6mm THICKNESS



Title		
HDMI Type A Female Breakout		
Size	Number	Revision
A4	HDMI-AF-BO-V2A	2A
Date:	8/11/2017	Sheet of
File:	C:\Users\...HDMI-AF-BO-V2A Drawing	Sub: By: www.eLabGuy.com