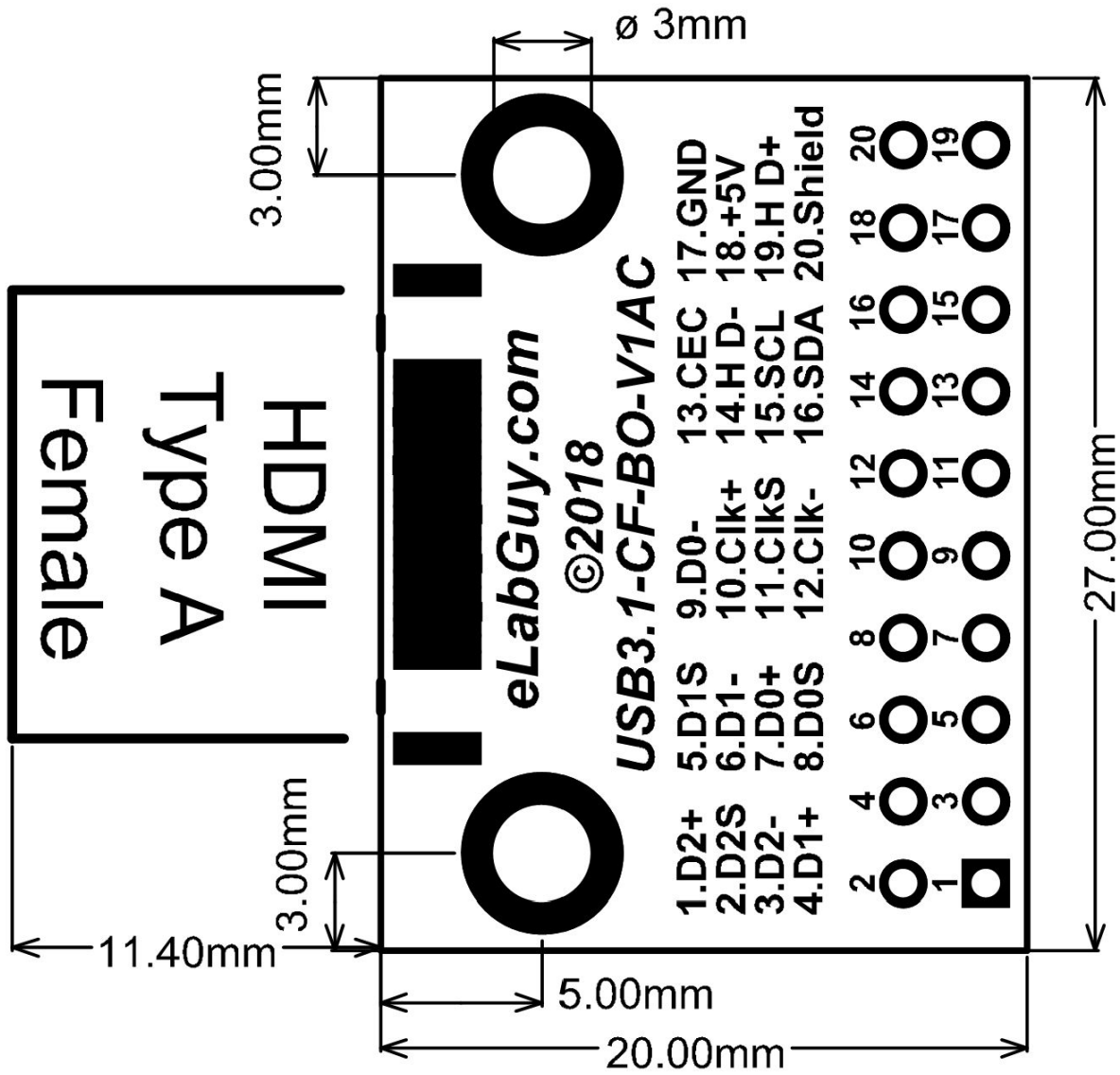
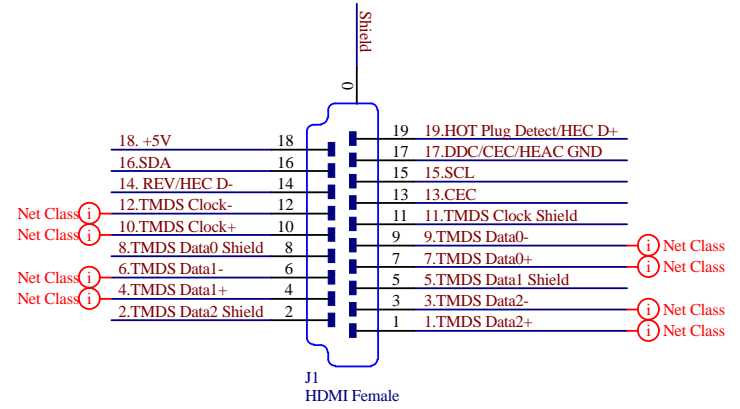


*PCB 1.6mm THICKNESS



P1	
1.TMDS Data2+	1 2
2.TMDS Data2 Shield	3 4
3.TMDS Data2-	5 6
4.TMDS Data1+	7 8
5.TMDS Data1 Shield	9 10
6.TMDS Data1-	11 12
7.TMDS Data0+	13 14
8.TMDS Data0 Shield	15 16
9.TMDS Data0-	17 18
10.TMDS Clock+	19 20
11.TMDS Clock Shield	
12.TMDS Clock-	
13.CEC	
14.REV/HEC D-	
15.SCL	
16.SDA	
17.DDC/CEC/HEAC GND	
18.+5V	
19.HOT Plug Detect/HEC D+ Shield	

Header 10X2_2.54mm



Title HDMI Type A Female Breakout Compact Type		
Size A4	Number HDMI-AF-BO-V1AC	Revision 1AC
Date: 10/14/2018	Sheet of	Drawn By: www.eLabGuy.com
File: C:\Users\...\HDMI-AF-BO-VAC.SchDoc		