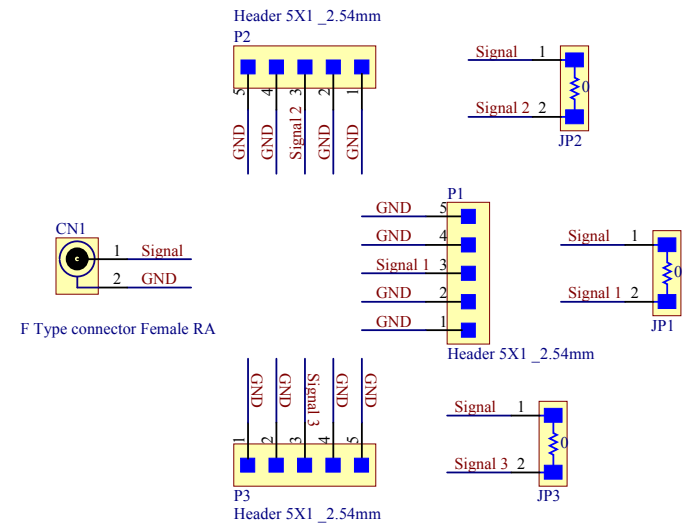


**FJ-BO-V1A PCB outline Drawing**



**FJ-BO-V1A Schematic Diagram**



Title <b>F-Type Jack Breakout</b>			
Size A4	Number <b>FJ-BO-V1A</b>	Revision <b>1A</b>	
Date: 6/11/2015	Sheet of		Drawn By: <a href="http://www.eLabGuy.com">www.eLabGuy.com</a>
File: C:\Users\... \FJ-BO-V1A Drawing.SchDoc			