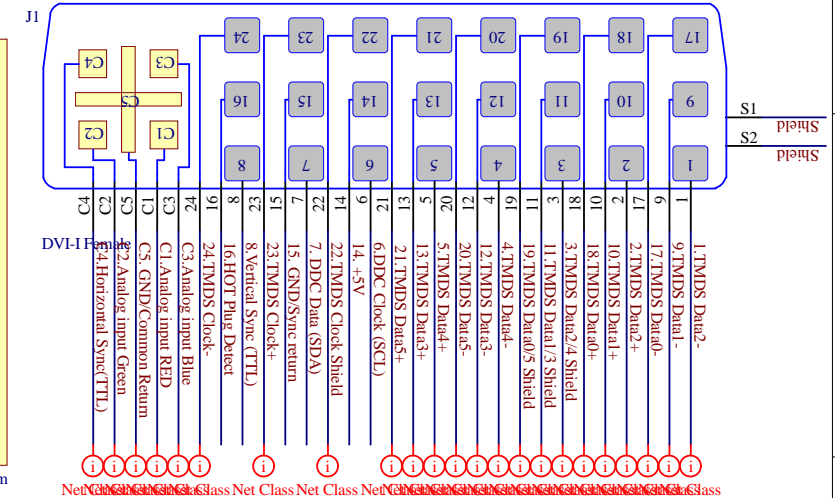
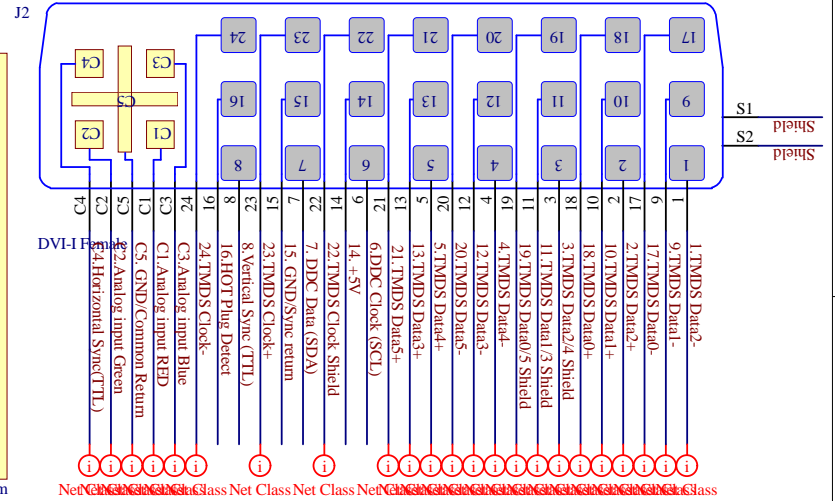
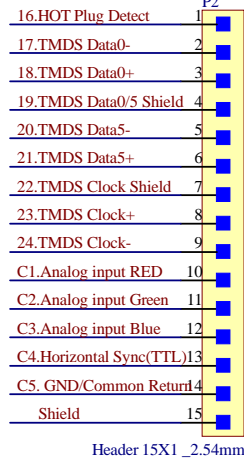
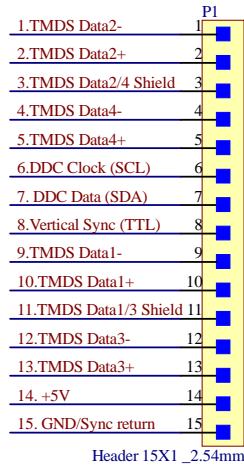
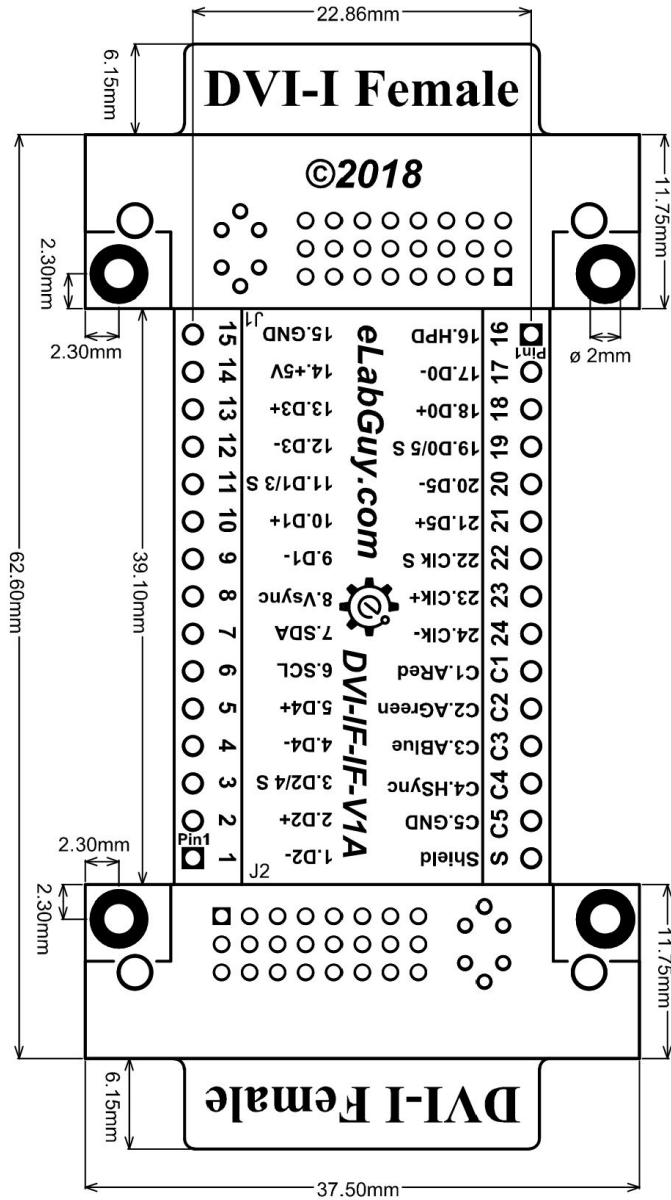


*PCB 1.6mm THICKNESS



Title DVI I Female to I Female Pass Through		
Size A4	Number DVI-IF-IF-V1A	Revision 1A
Date: 10/14/2018	Sheet of	
File: C:\Users\...\DVI-IF-IF-V1A.SchDoc	Drawn By: www.eLabGuy.com	