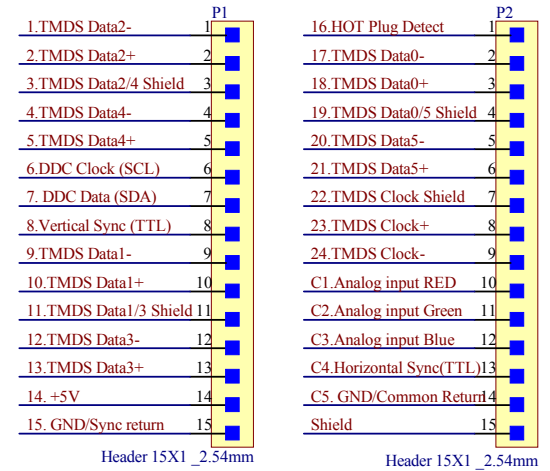
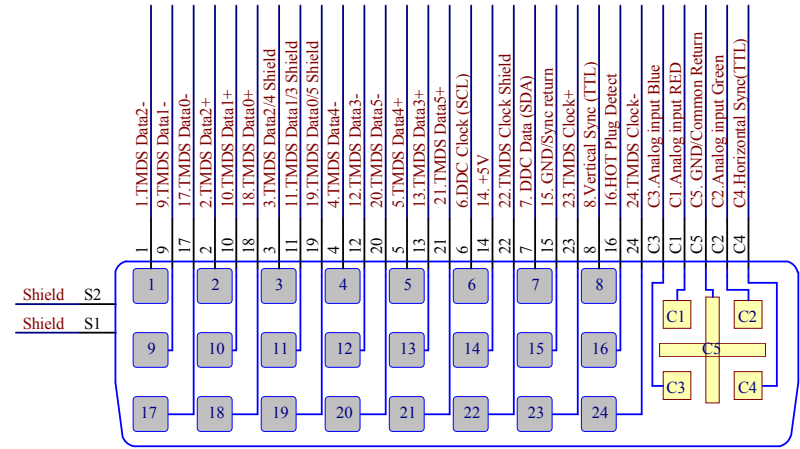
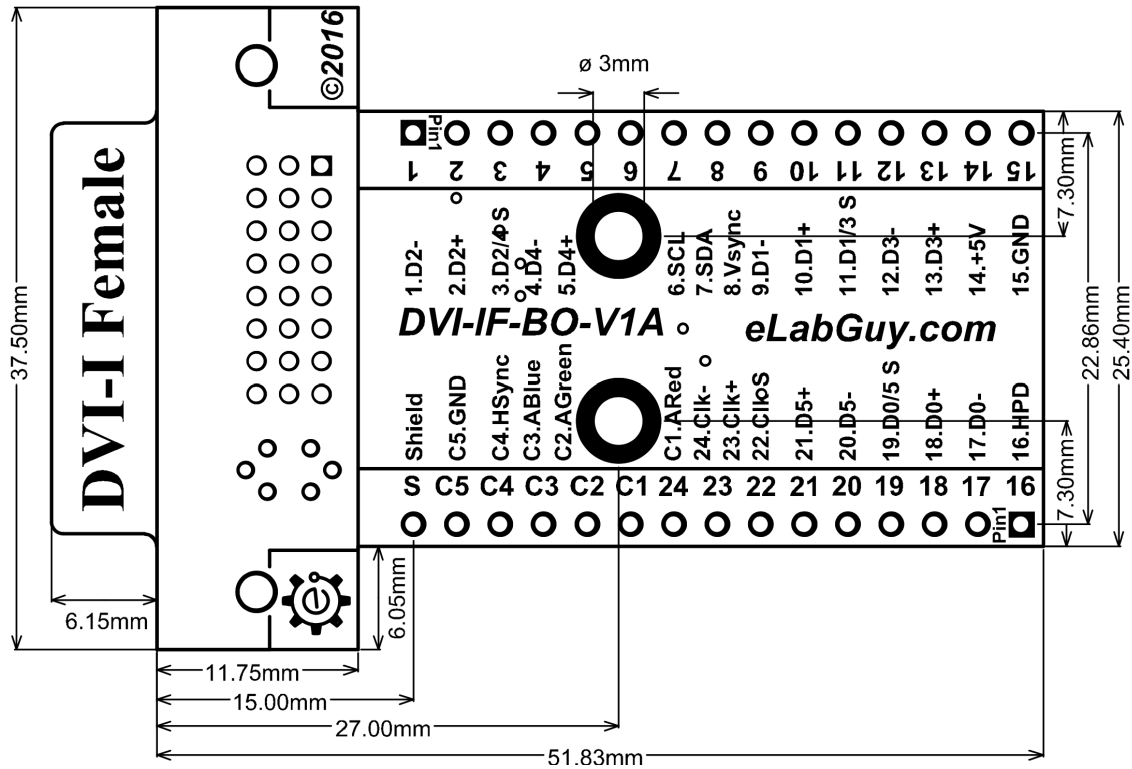


\* PCB 1.60mm THICKNESS



## DVI-IF-BO-V1A Schematic Diagram



## DVI-IF-BO-V1A PCB outline Drawing

Title			<b>DVI-I Female Breakout</b>		
Size	Number	Revision			
A4	<b>DVI-IF-BO-V1A</b>	<b>1A</b>			
Date:	3/14/2016	Sheet of			
File:	C:\Users\...DVI-IF-BO-V1 DrawingA.Sch	Drawn By:		www.eLabGuy.com	