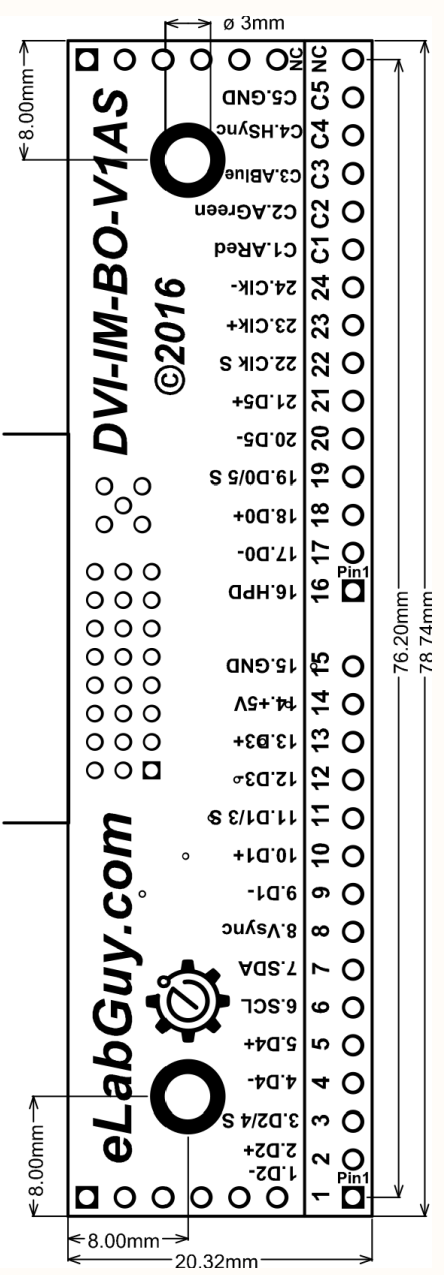
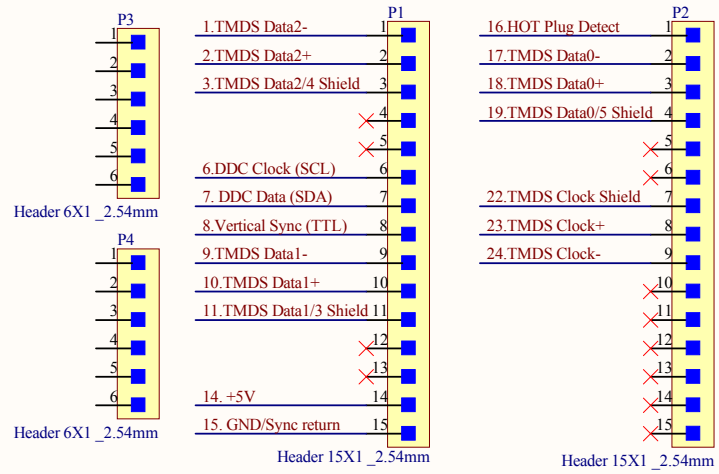
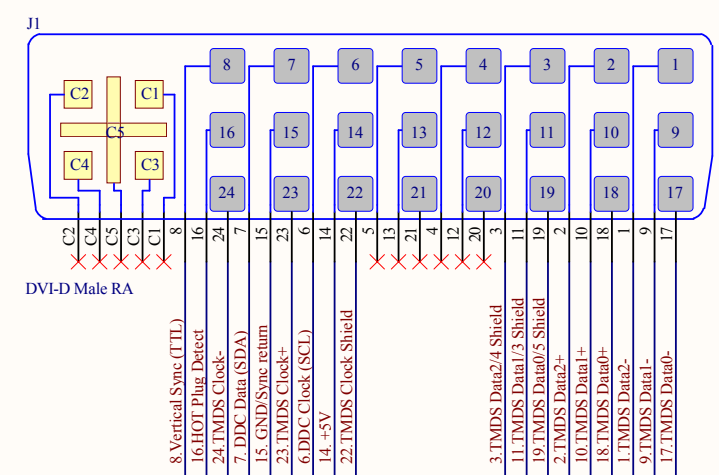


A  
B  
C  
D



\* PCB 1.60mm THICKNESS



Title <b>DVI-D Single Link Male Breakout (side)</b>		
Size A4	Number <b>DVI-DSM-BO-V1AS</b>	Revision <b>1AS</b>
Date: 11/5/2016	Sheet of 1	
File: C:\Users\... \DVI-DSM-BO-V1AS Drawing		
By: www.eLabGuy.com		

1

2

3

4