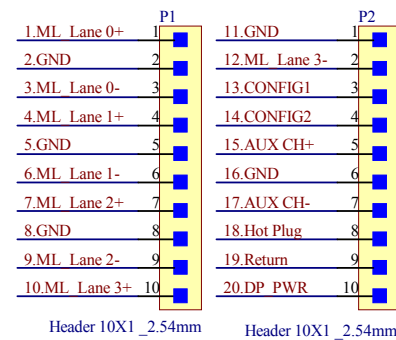
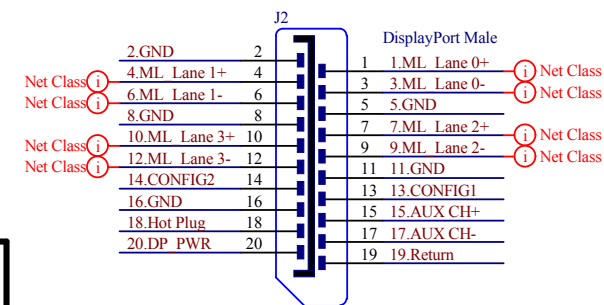
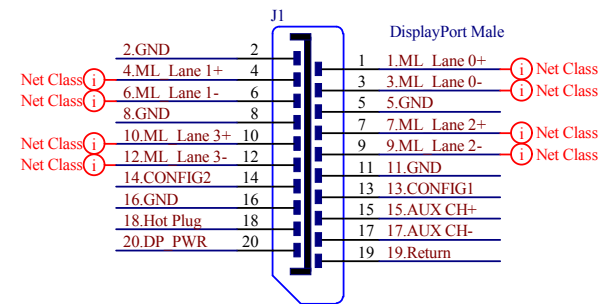
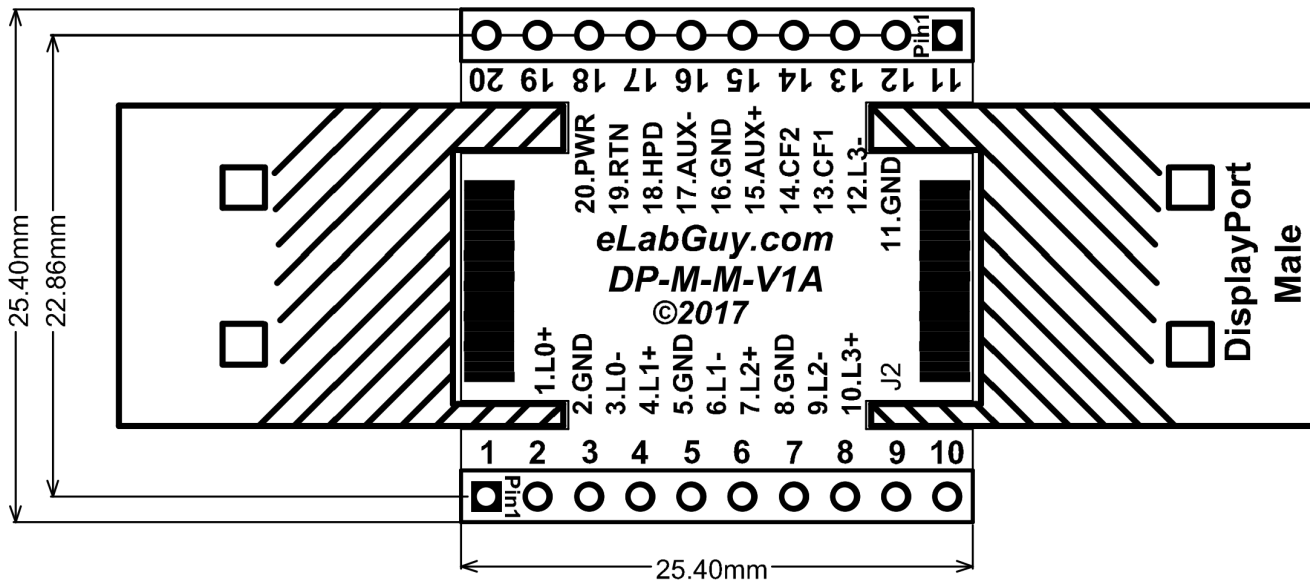


* PCB 1.60mm THICKNESS



Title			
Displayport Male to Male Pass-Through			
Size	Number	Revision	
A4	DP-M-M-V1A	1A	
Date:	11/30/2017	Sheet of	
File:	C:\Users\...DP-M-M-V1A Drawing.SchDoc	Drawn By:	www.eLabGuy.com