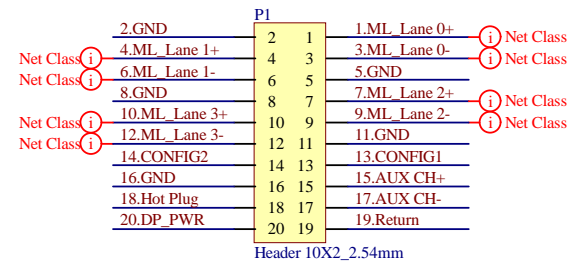
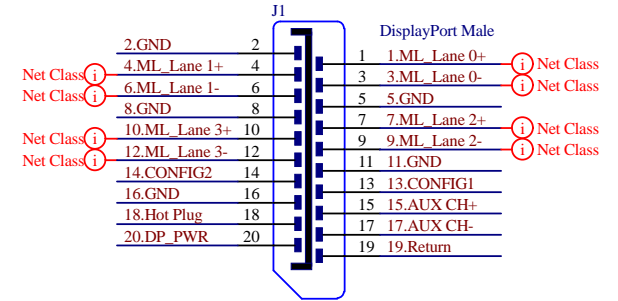
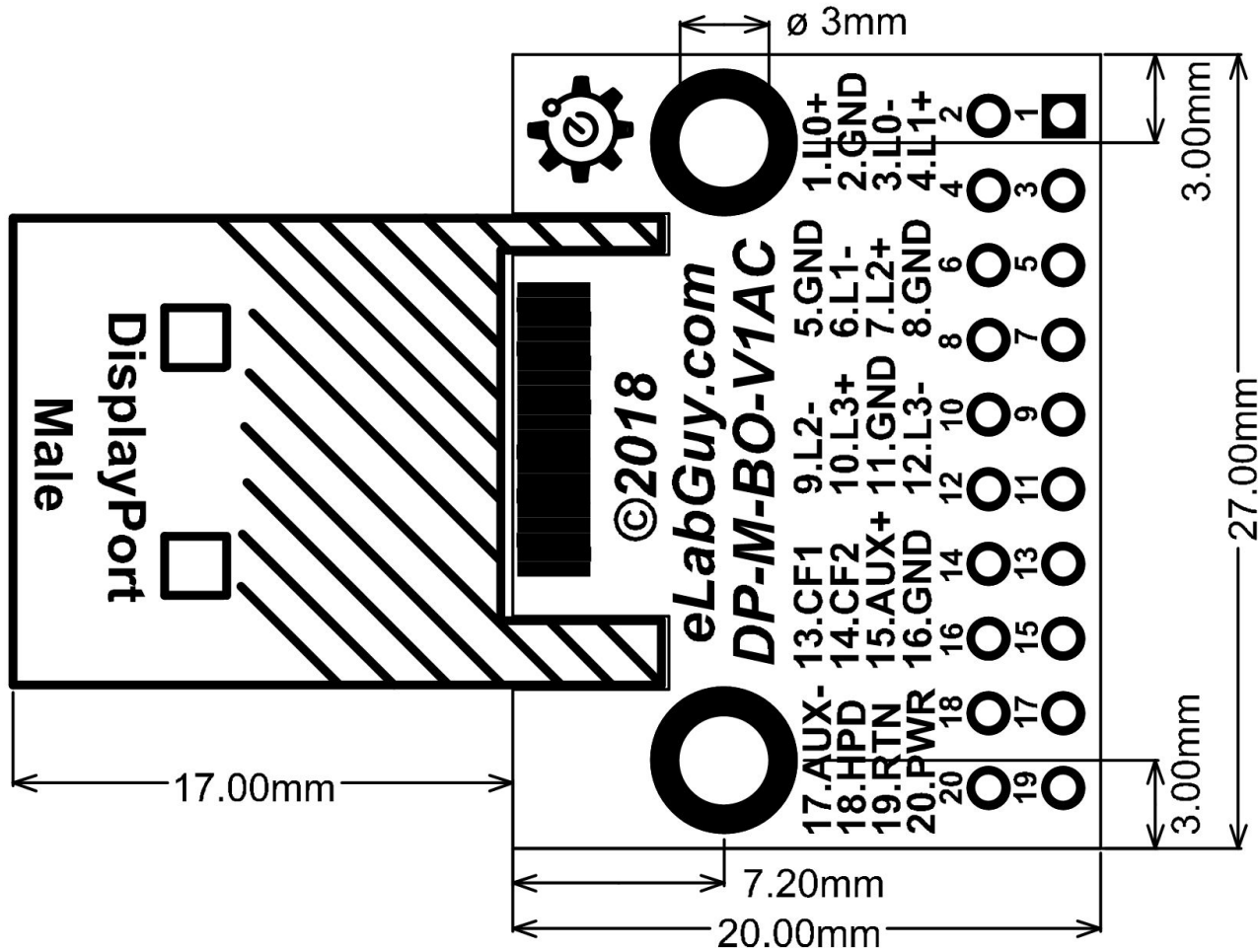


***PCB 1.6mm THICKNESS**



Title Displayport Male Breakout		
Size A4	Number DP-M-BO-V1AC	Revision 1AC
Date: 10/14/2018	Sheet of	Drawn By: www.eLabGuy.com
File: C:\Users\...\DP-M-BO-V1AC.SchDoc		