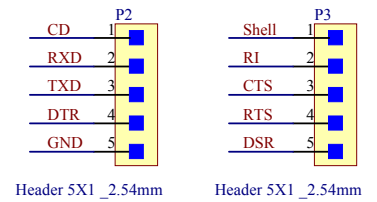
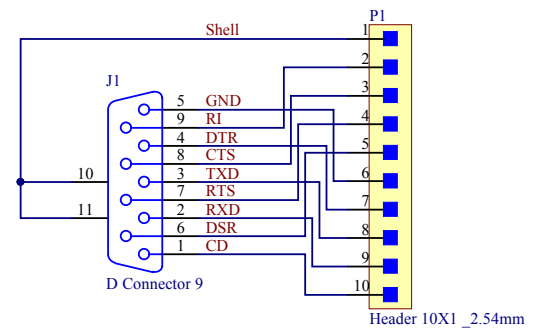


D9-BO-V2A PCB outline Drawing



D9-BO-V2A Schematic Diagram



Title DB9 Breakout		
Size A4	Number D9-BO-V2A	Revision 2A
Date: 7/3/2015	Sheet of	
File: C:\Users\...D9_BO_V2A Drawing.SchDoc Drawn By: www.ElabGuy.com		