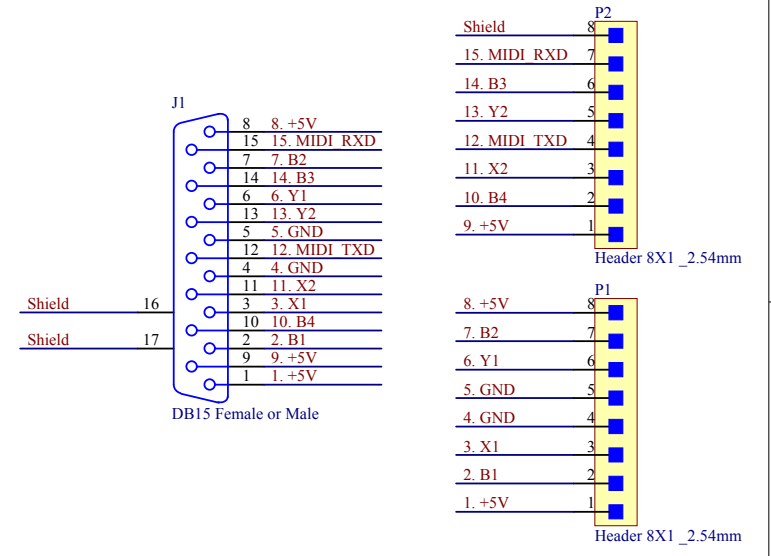
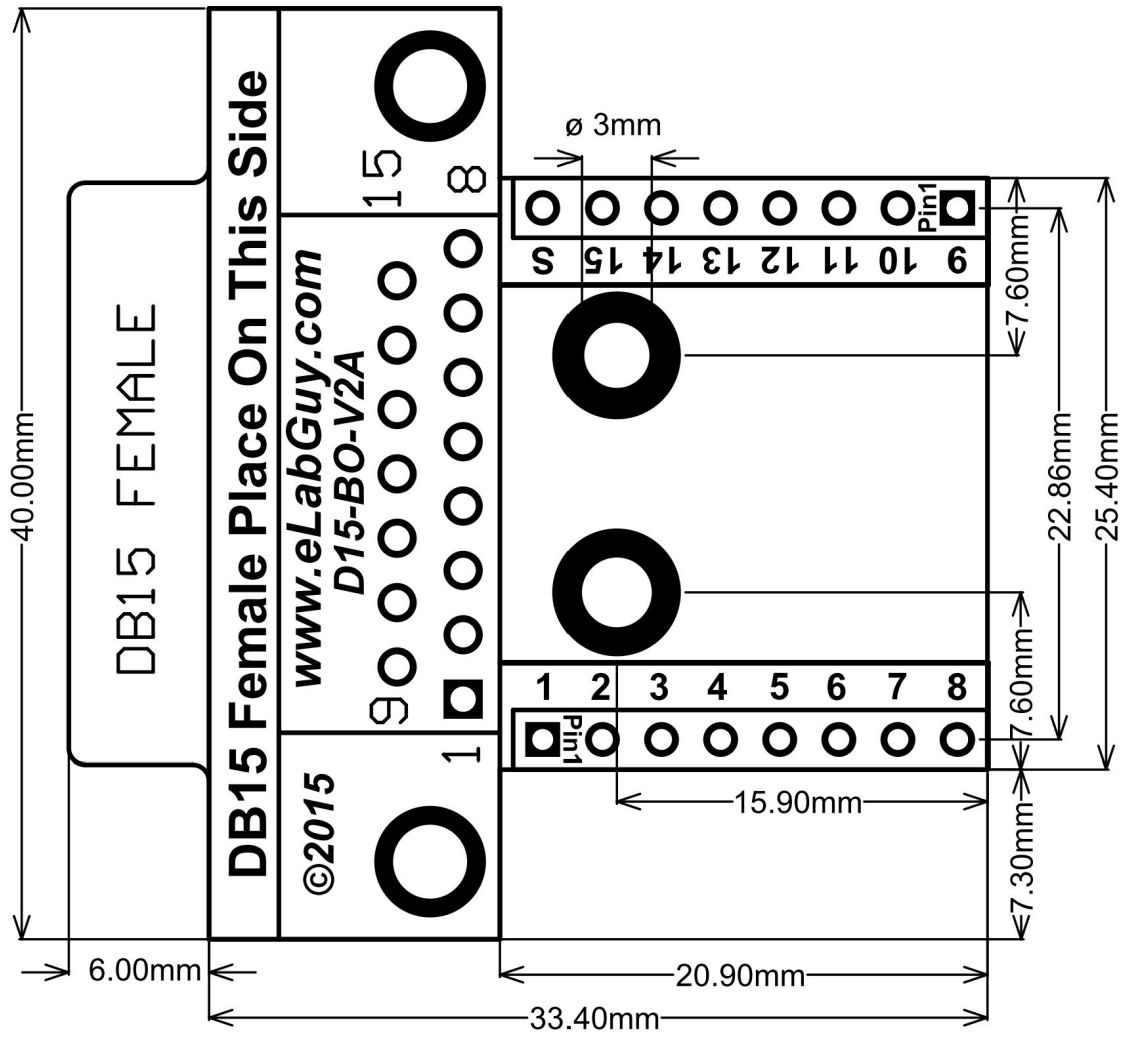


\* PCB 1.6mm THICKNESS



## DB15-BO-V2A Schematic Diagram



## DB15-BO-V2A PCB outline Drawing

|   |                           |                    |                           |
|---|---------------------------|--------------------|---------------------------|
| Title <b>DB15 Breakout</b>                  |                           |                    |                           |
| Size A4                                     | Number <b>DB15-BO-V2A</b> | Revision <b>2A</b> |                           |
| Date: 7/23/2015                             | Sheet of                  |                    | Drawn By: www.eLabGuy.com |
| File: C:\Users\...D15 BO V2A Drawing.SchDoc |                           |                    |                           |