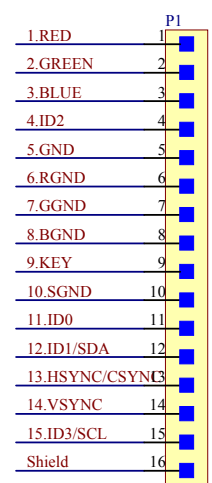
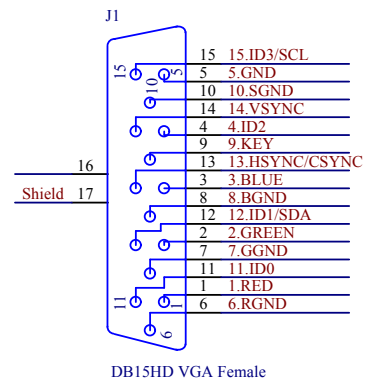
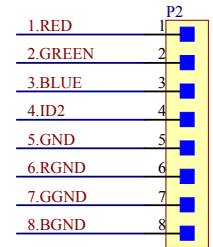


**D15HD-BO-V1AS PCB outline Drawing**

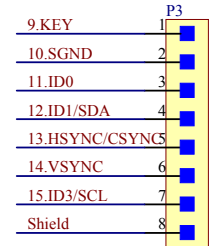
\* PCB 1.60mm THICKNESS



Header 16X1\_2.54mm



Header 8X1\_2.54mm



Header 8X1\_2.54mm

## D15HD-BO-V1AS Schematic Diagram



Title <b>DB15HD VGA Breakout</b>			
Size A4	Number <b>D15HD-BO-V1AS</b>	Revision <b>1AS</b>	
Date: 6/11/2015	Sheet of		
File: C:\Users\...D15HD-VGA-BO-V1AS Drawings\Doc www.eLabGuy.com			