

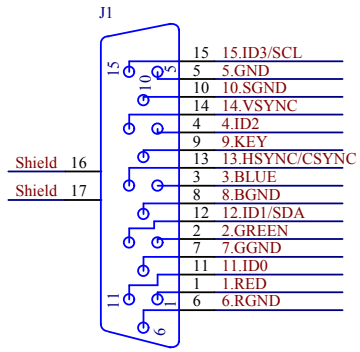
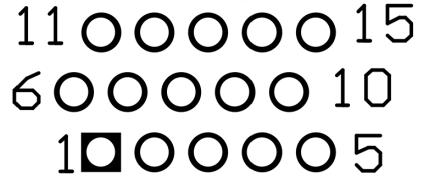
D15HD-BO-V1A PCB outline Drawing

* PCB 1.60mm THICKNESS

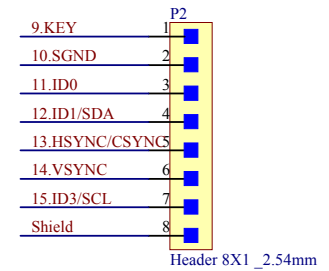
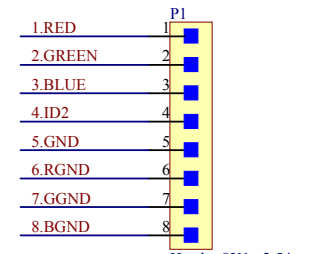
DB15HD Female Place On This Side

www.eLabGuy.com

D15HD-BO-V1A



DB15HD VGA Female Or Male



D15HD-BO-V1A Schematic Diagram



Title			DB15HD VGA Breakout		
Size	Number	Revision			
A4	D15HD-BO-V1A	1A			
Date:	6/11/2015	Sheet of			
File:	C:\Users\...D15HD-VGA-BO-V1A Drawings\...	www.eLabGuy.com			