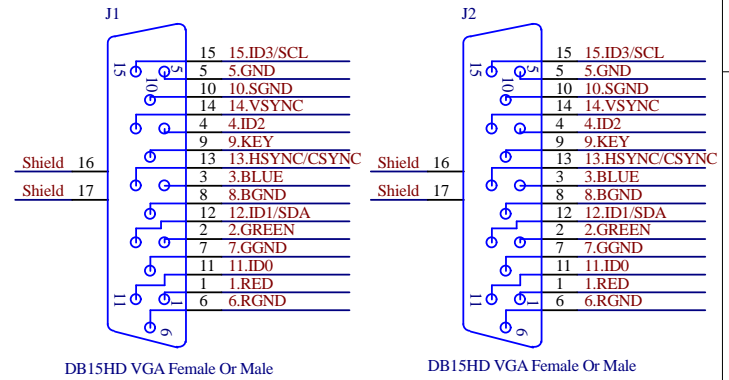
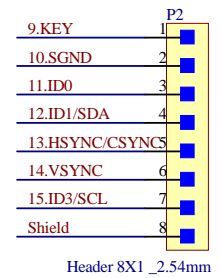
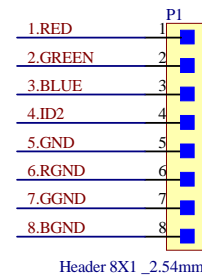
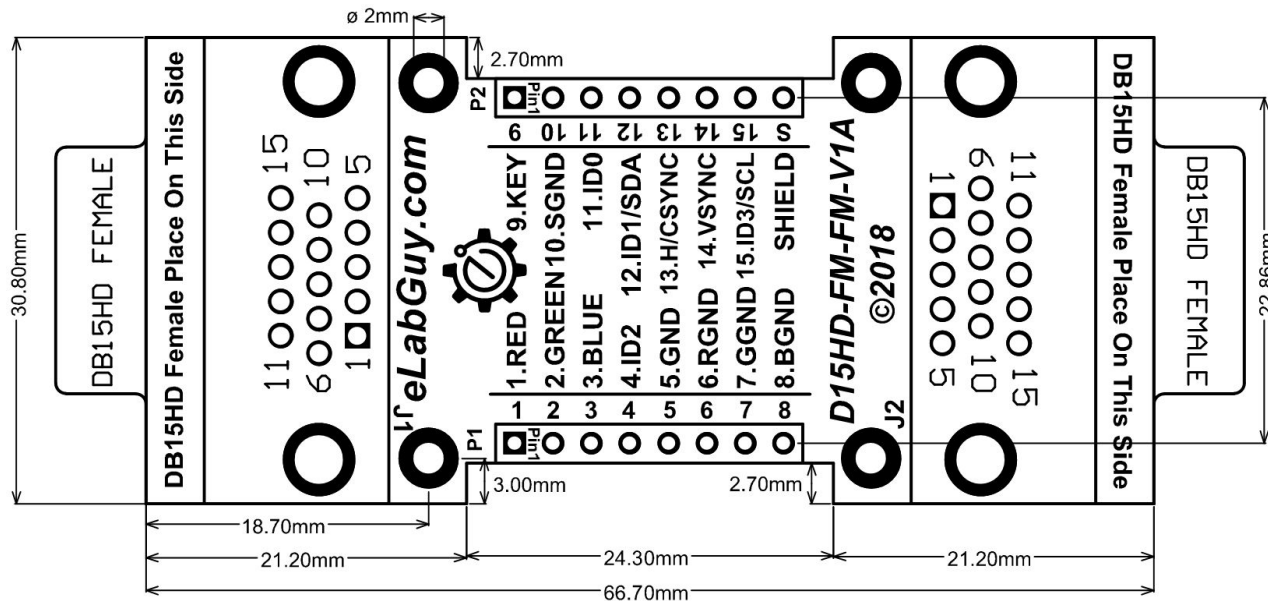


***PCB 1.6mm THICKNESS**



Title DB15HD Pass-Through		
Size A4	Number D15HD-FM-FM-V1A	Revision 1A
Date: 10/14/2018	Sheet of	
File: C:\Users\...\DB15HD-FM-FM-V1A.SchDoc	Drawn By: www.eLabGuy.com	