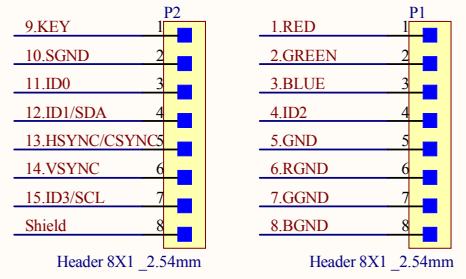
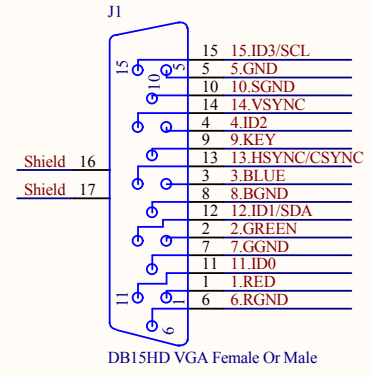
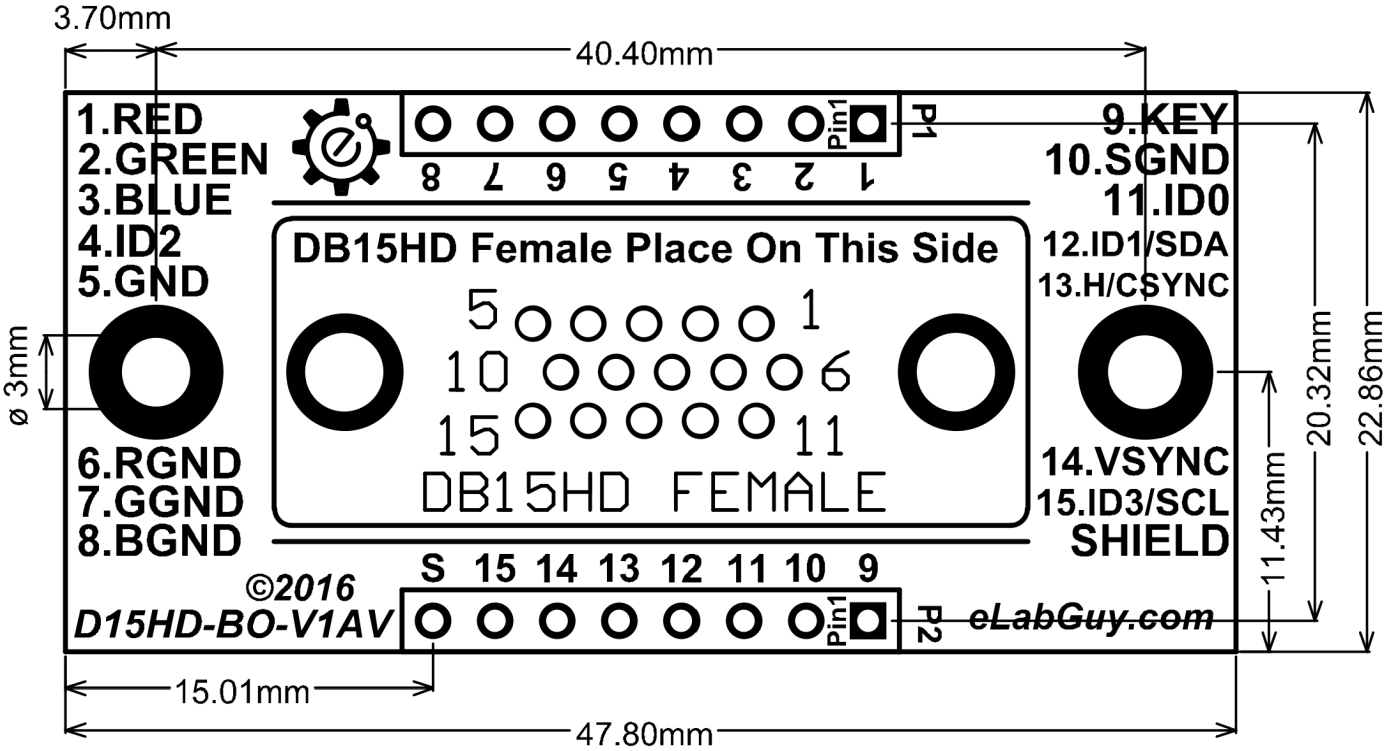


* PCB 2.00mm THICKNESS



Schematic Diagram

PCB outline Drawing



Title DB15HD VGA Vertical Breakout Board		
Size A4	Number D15HD-BO-V1AV	Revision 1AV
Date: 6/6/2016	Sheet of	
File: C:\Users\...D15HD-BO-V1AV.SchDoc	Drawn By: www.eLabGuy.com	